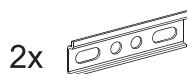
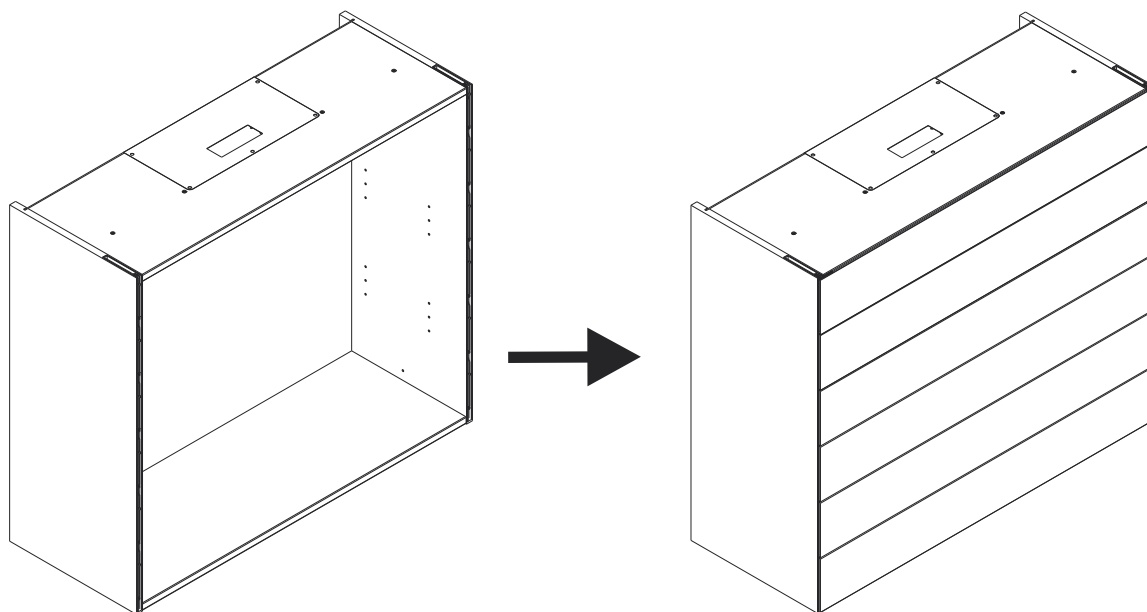




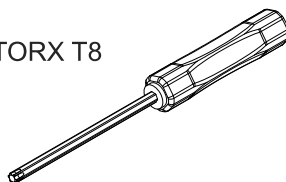
<http://support.kesseboehmer.de/climber>

Montageanleitung CLIMBER

Mounting Instructions CLIMBER



TORX T8

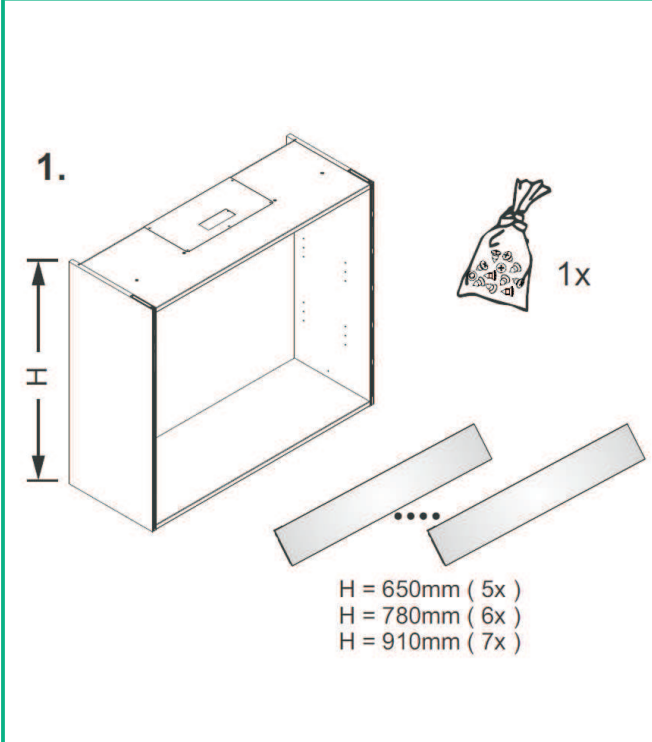


- Ⓓ Montage nur von geschultem Fachpersonal
- ⒼⒸ Assembly only by qualified personnel
- Ⓕ Assemblée par un personnel qualifié
- Ⓔ Montage sólo por personal cualificado
- Ⓘ Assemblea solo da personale qualificato
- ⒼⒼ Montage alleen door gekwalificeerd personeel
- ⒸⒶ Монтаж осуществляется только квалифицированным персоналом



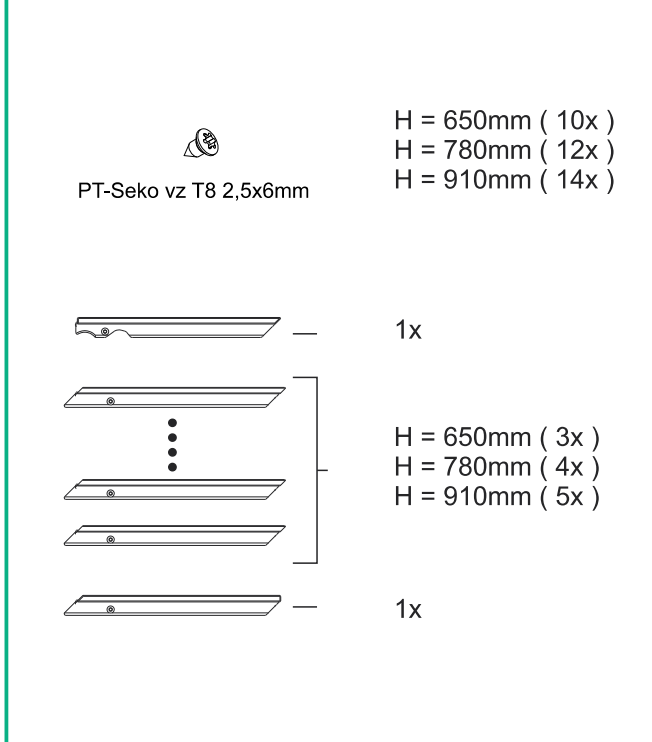
CLIMBER

1 mm



H = 650mm (5x)
H = 780mm (6x)
H = 910mm (7x)

2 mm



PT-Seko vz T8 2,5x6mm

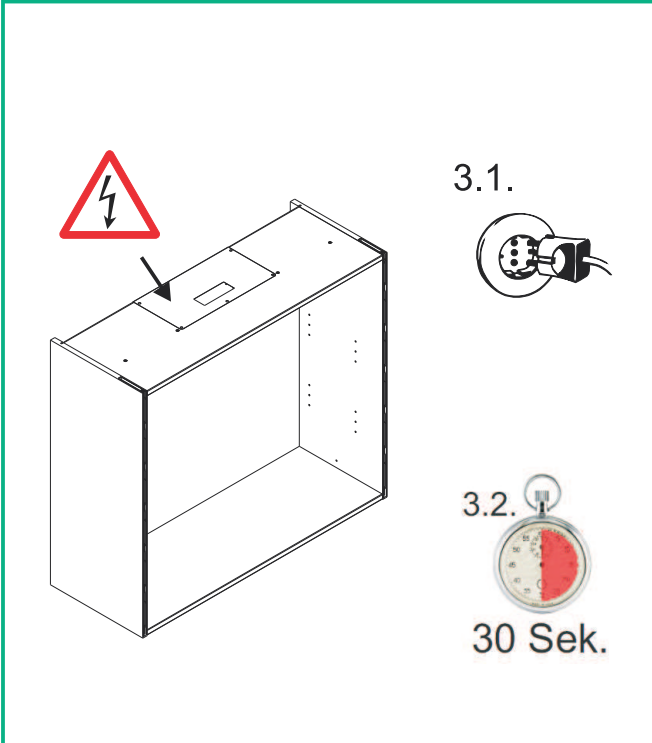
H = 650mm (10x)
H = 780mm (12x)
H = 910mm (14x)

1x

H = 650mm (3x)
H = 780mm (4x)
H = 910mm (5x)

1x

3 mm

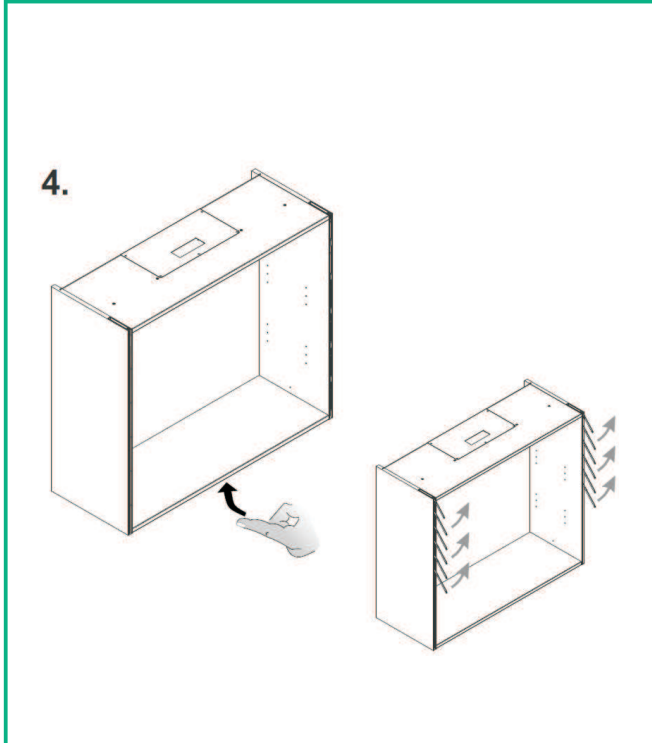


3.1.

3.2.

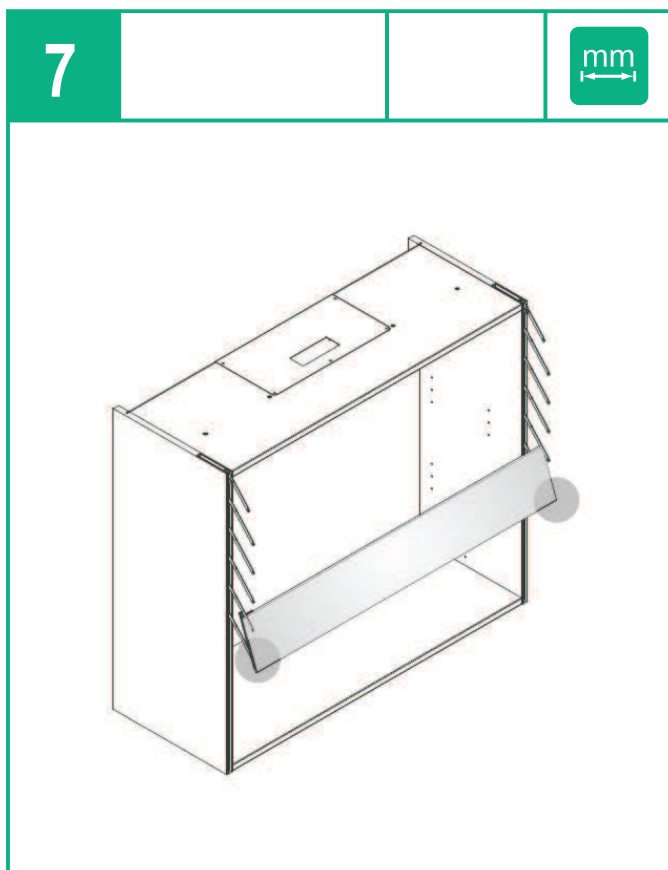
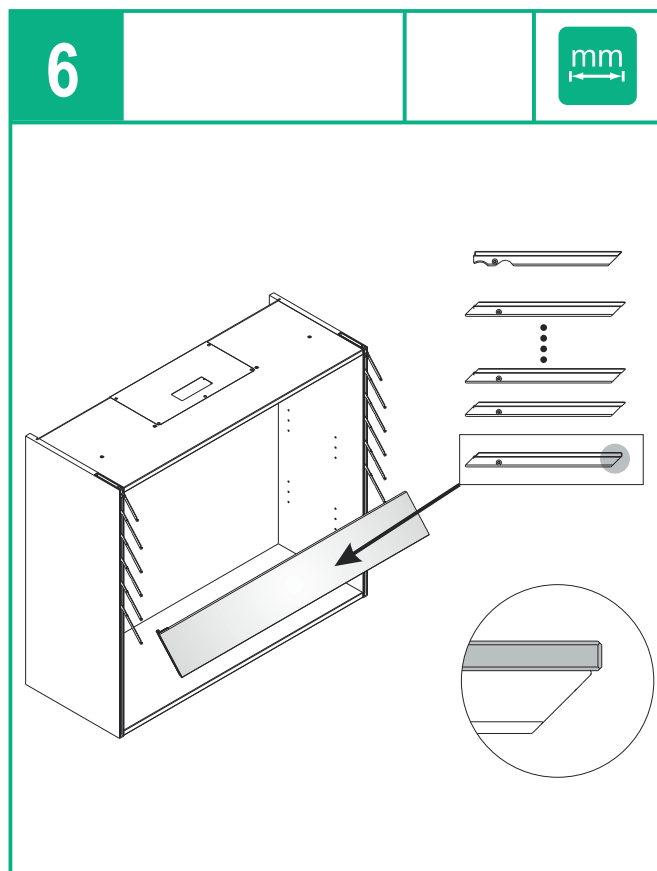
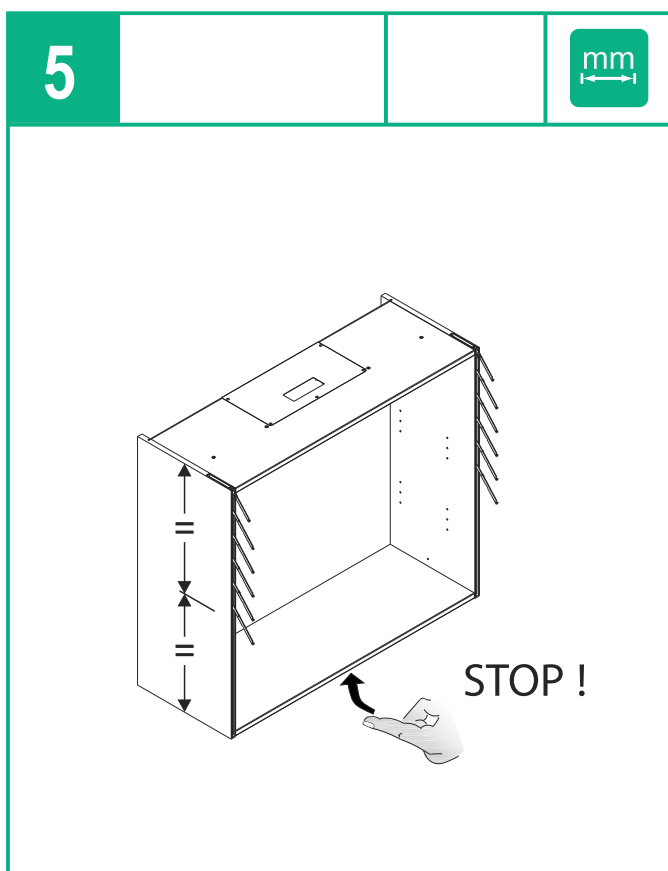
30 Sek.

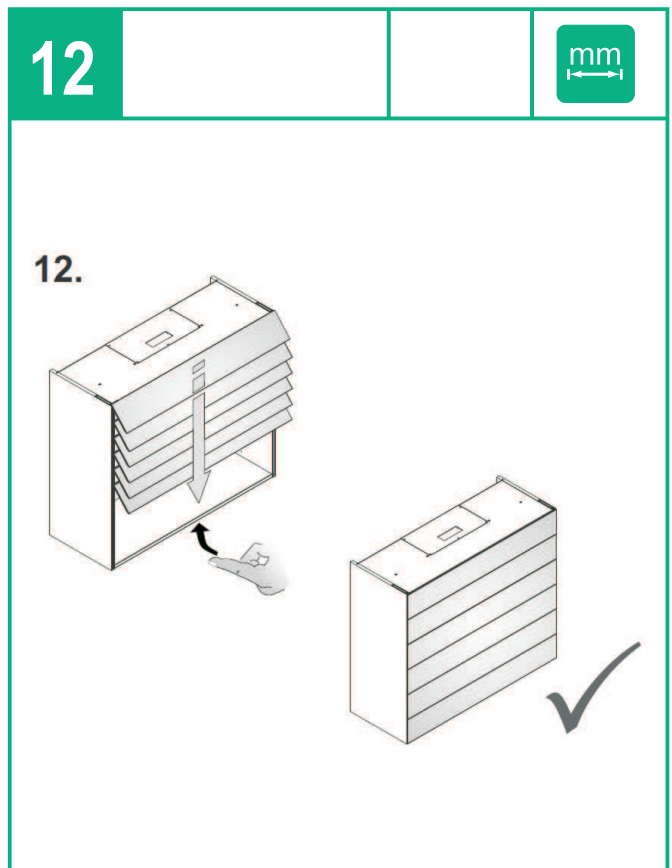
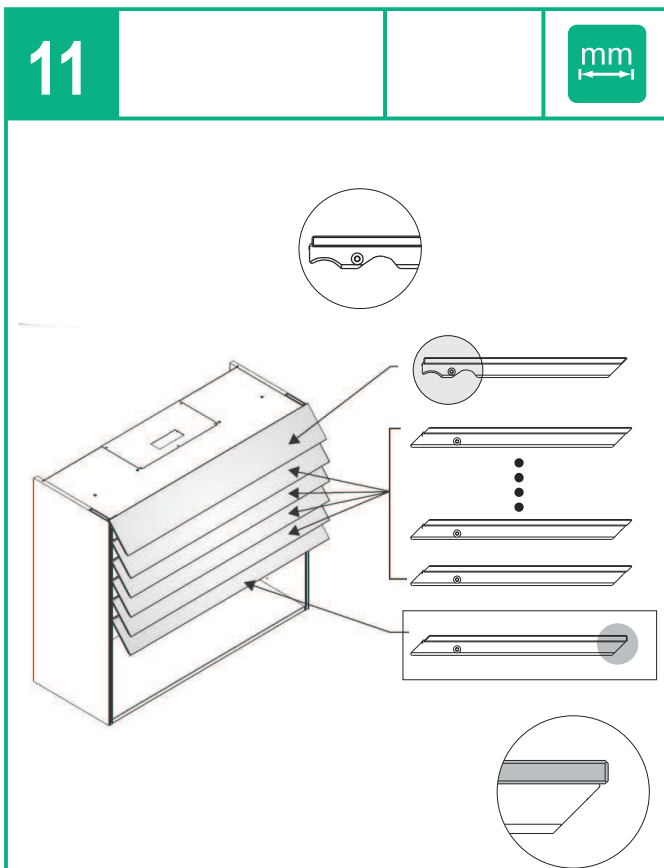
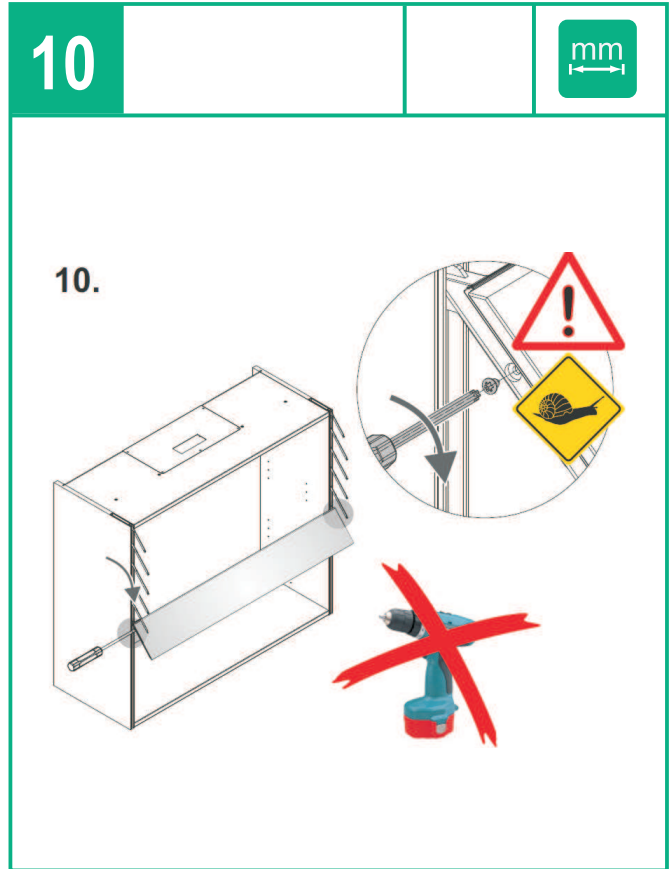
4 mm



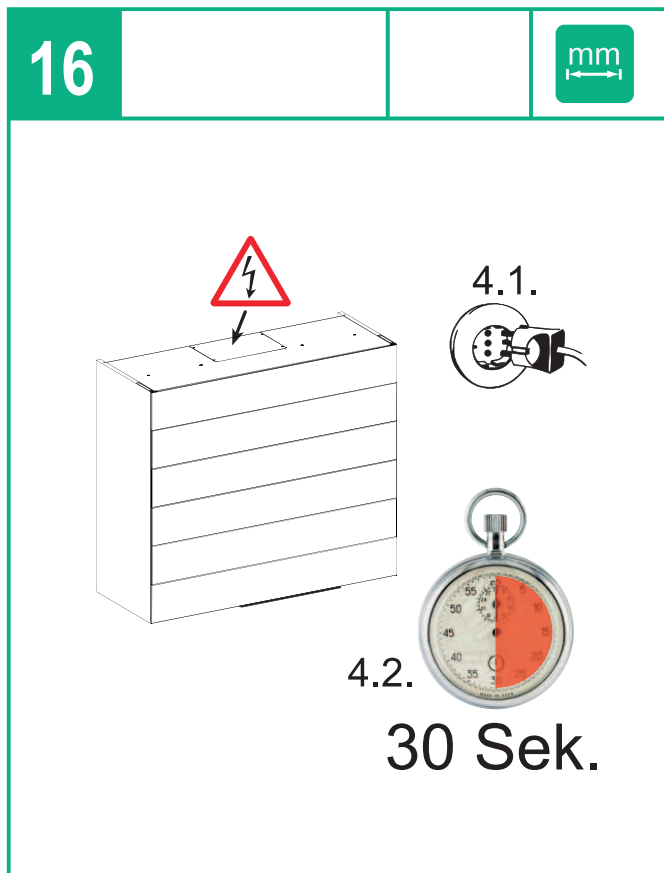
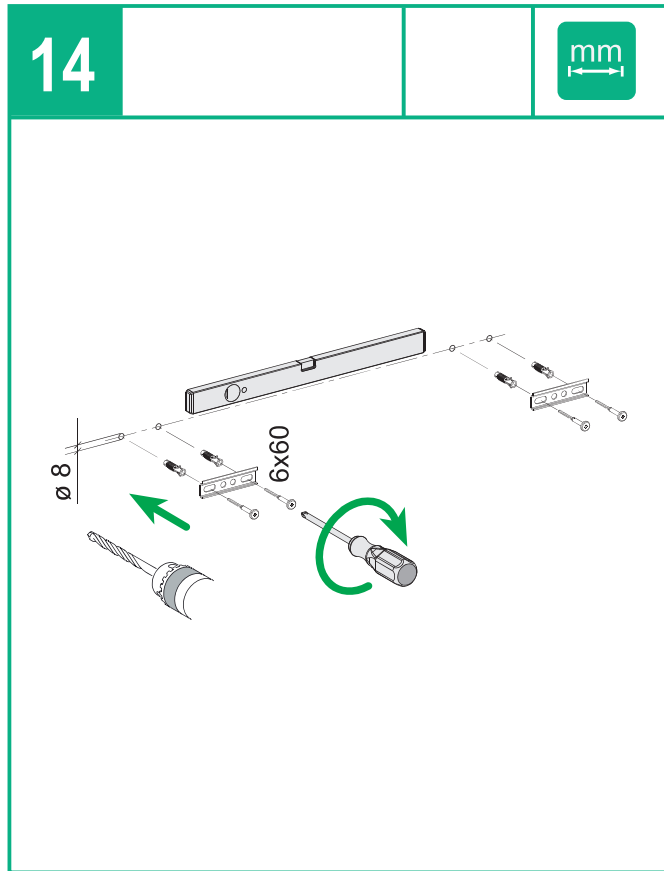
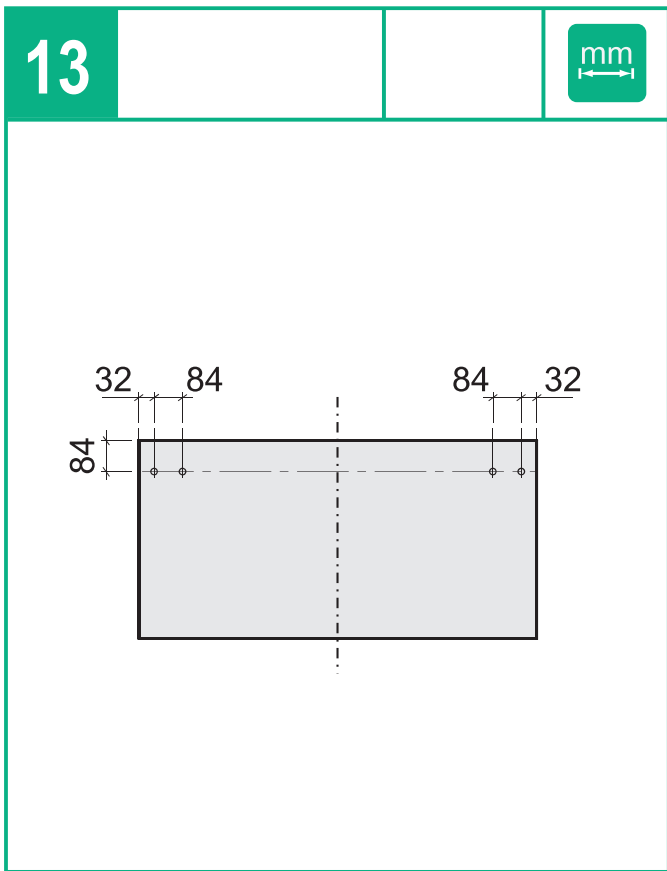
4.

CLIMBER

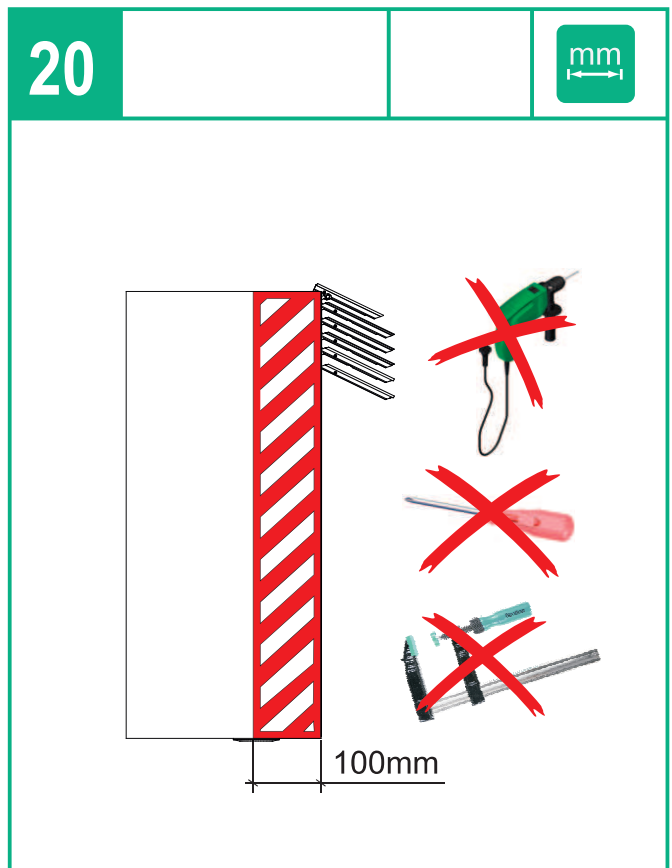
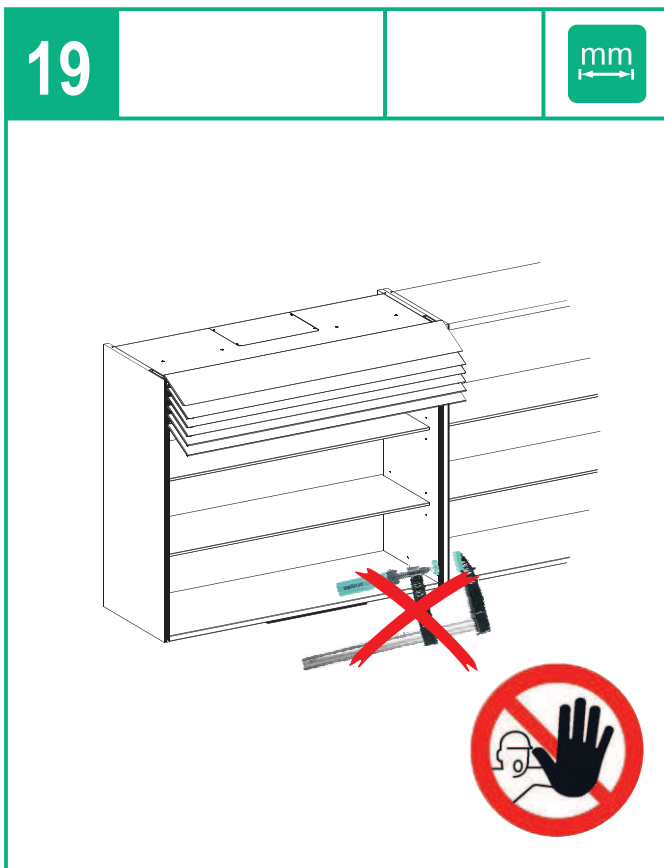
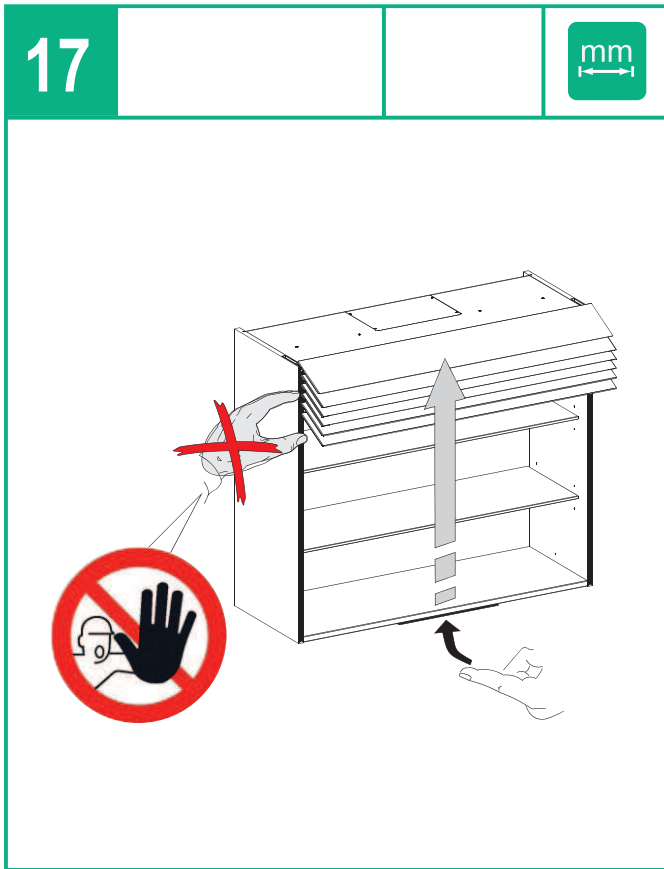




CLIMBER

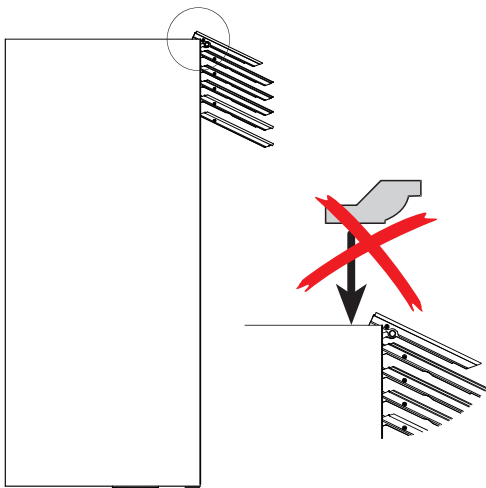


CLIMBER



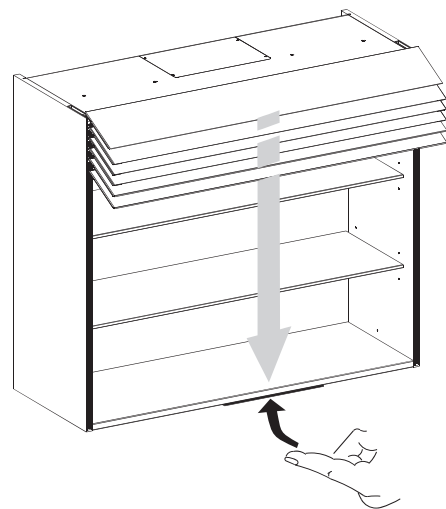
21

mm



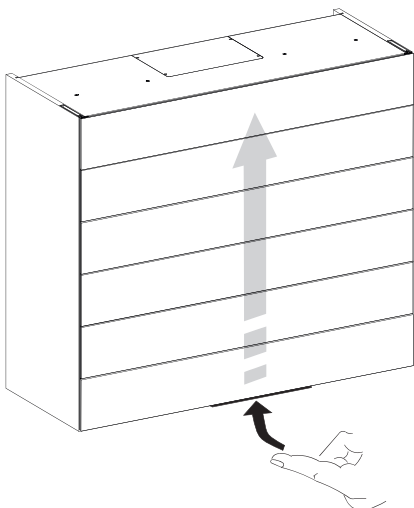
22

mm



23

mm



24

mm

