

### Duo, Duo Forte

**Page 4-3**

Classic solution for lift-up flaps.



### Maxi

**Page 4-9**

Quickly installed – for a gentle lift.



### Maxi up

**Page 4-17**

Lifts and lowers chest lids with a defined, gentle movement.



### Senso, E-Senso

**Page 4-21**

A smooth lift in low-ceilinged rooms.



### Verso, E-Verso

**Page 4-27**

Lifters to suit contemporary kitchen architecture.



### Strato, E-Strato

**Page 4-33**

Vertical lift with safety stop.



### FREEflap

**Page 4-39**

Ultra-compact and ultra-convenient.



### EWIVA lift-up fitting

**Page 4-43**

Soft and silent lift up for appliance flaps.



### HSB lift-up fitting

**Page 4-47**

Precise, elegant movements for practical results.



### CLIMBER

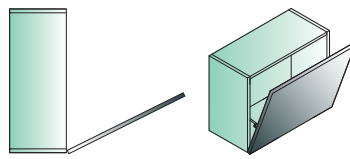
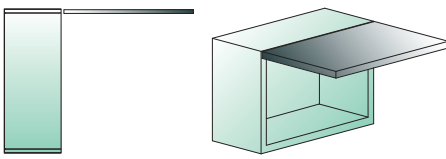
**Page 4-51**



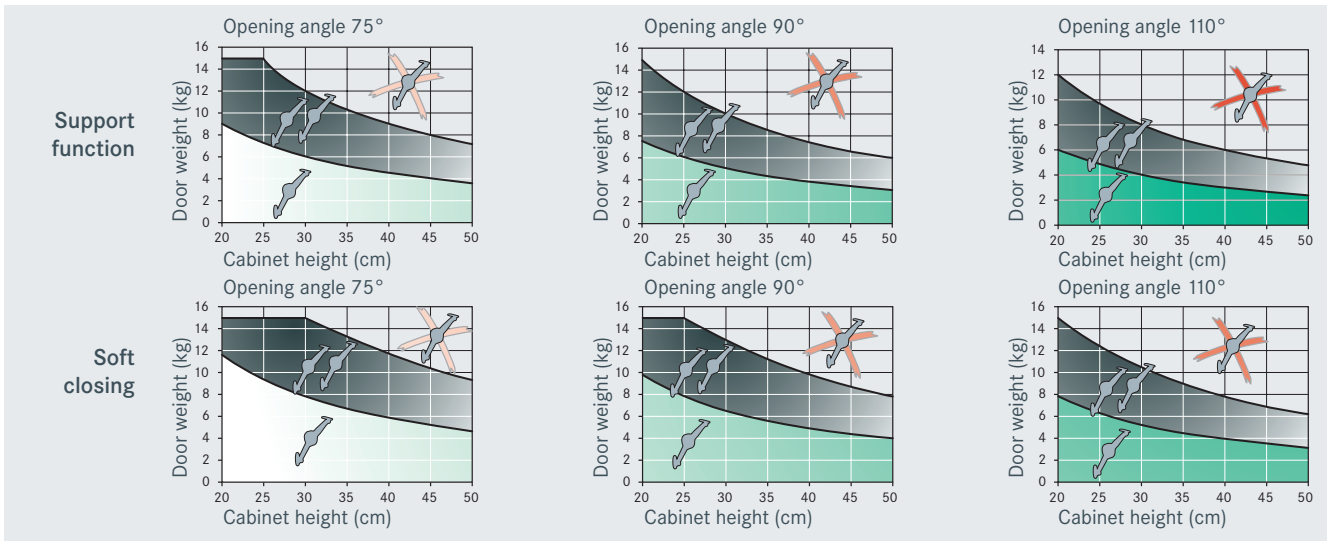




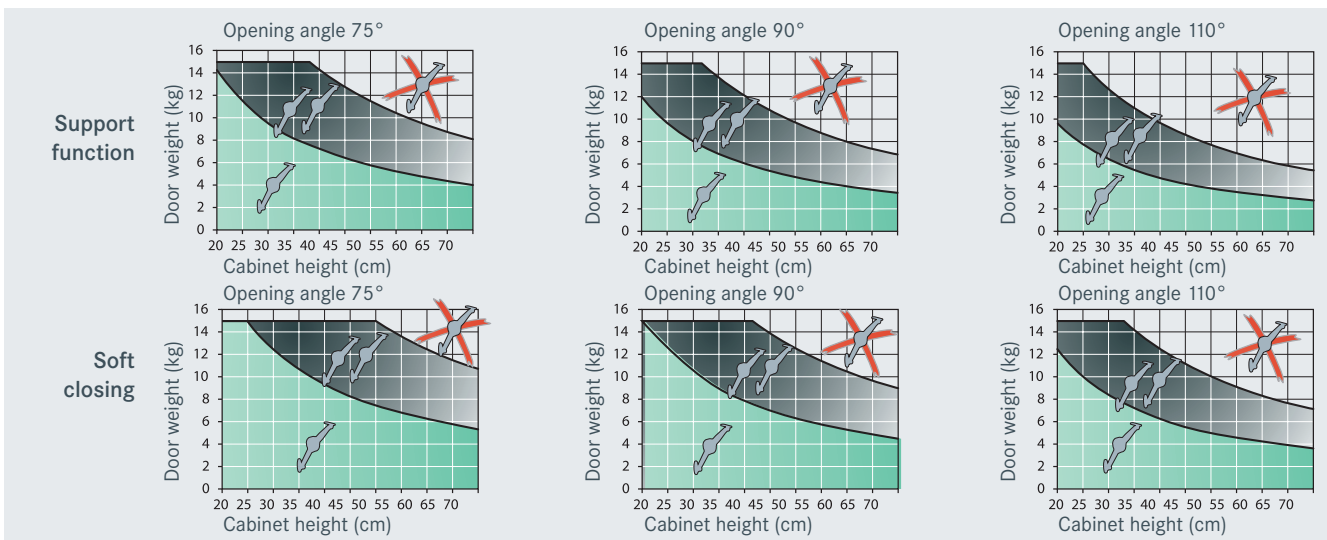
## Duo/Duo Forte



Lift force diagrams for Duo



Lift force diagrams for Duo Forte



Art. no.

**Duo flap support**

for small to medium-sized doors;  
install right or left

Opening angle: 75°, 90° and 110°

27 1690

**Duo Forte flap support**

for small to medium-sized doors;  
install right or left

Opening angle: 75°, 90° and 110°

27 1700

**Mounting bracket**

for 37-mm hole spacing

27 0111

**Mounting bracket**

for 28-mm hole spacing

27 0114

**Mounting bracket**

**for wooden doors**  
and doors with wide frames

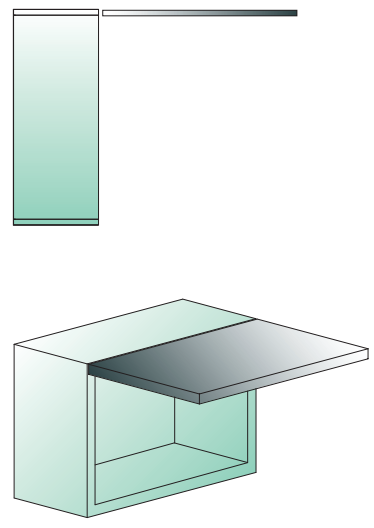
27 0107

**Mounting bracket**

for 20-mm aluminium frame doors

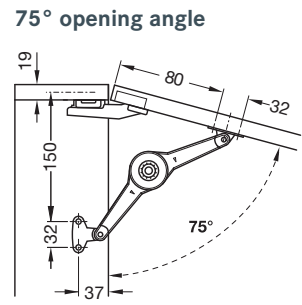
27 0119



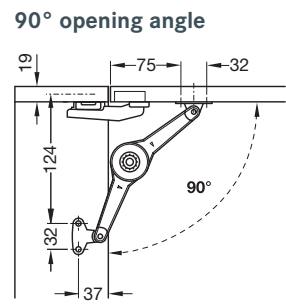


**Duo Touch Opening**  
(requires cup hinge with push-to-open function!)

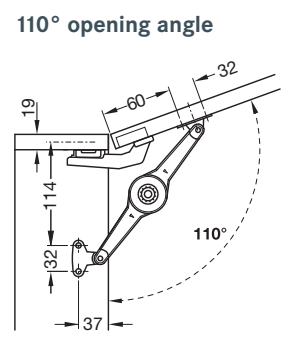
	1 support		2 supports	
	Max. front weight	Opening gap	Max. front weight	Opening gap
	kg	mm	kg	mm
200	10.2	40	10.2	35
250	8.8	40	10.1	35
300	7.9	50	9.9	40
350	7.5	45	9.8	40
400	5.6	45	9.2	40
450	5.6	65	8.4	45
500	5.5	85	6.5	50






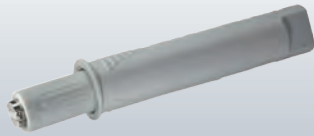
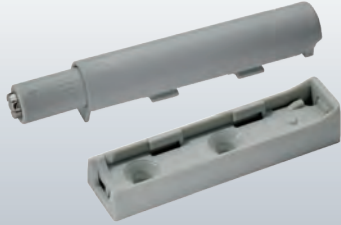



200	6.6	30	9.6	30
250	6.5	32	9.3	30
300	6.5	40	7.5	40
350	6.4	45	7.1	50
400	5.6	50	6.9	50
450	5.2	70	6.9	65
500	4.5	75	6.7	65



200	7.6	55	9.6	40
250	6.8	70	9.0	45
300	5.5	95	9.0	50
350	4.8	100	7.3	70
400	4.2	110	7.2	75
450	3.4	120	6.2	80
500	3.0	130	5.1	80



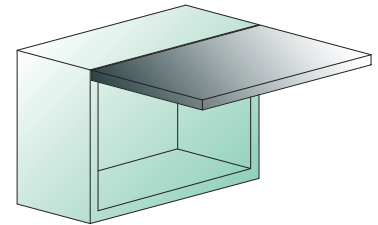
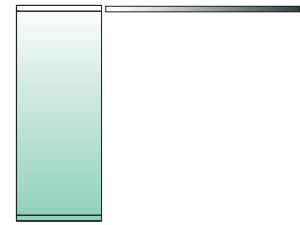
	Art. no.	
<p><b>Duo flap support</b> for small to medium-sized doors; install right or left</p> <p>Opening angle: 75°, 90° and 110°</p>	27 1690	
<p><b>Mounting bracket</b> for 37-mm hole spacing</p>	27 0111	
<p><b>Mounting bracket</b> for 28-mm hole spacing</p>	27 0114	
<p><b>Mounting bracket for wooden doors</b> and doors with wide frames</p>	27 0107	
<p><b>Mounting bracket</b> for 20-mm aluminium frame doors</p>	27 0119	
<p><b>Magnetic catch</b></p>	27 1520	
<p><b>Magnetic catch with base plate</b></p>	27 1521	
<p><b>Counterplate for magnet</b> knock in</p>	27 1522	







Maxi



**Maxi lift fittings**

	<b>Model A grey</b>	<b>Model B beige</b>	<b>Model C white</b>	<b>Model D black</b>
Cabinet height (mm)	Art. no. <b>27 1703</b>	Art. no. <b>27 1704</b>	Art. no. <b>27 1705</b>	Art. no. <b>27 1706</b>
300	3.8-7.1	6.7-13.7	11.9-21.0	15.4-27.3
400	2.8-5.3	5.0-10.3	8.9-15.8	11.6-20.5
500	2.3-4.3	4.1-8.3	7.2-12.5	9.4-16.2
600	1.9-3.5	3.3-7.0	5.9-10.6	7.6-13.7
700	1.6-3.0	2.8-5.7	5.0-8.8	6.5-11.4
800	1.4-2.7	2.5-5.1	4.4-7.9	5.7-10.4
900	1.3-2.4	2.2-4.6	4.0-7.0	5.2-9.1
1000	1.1-2.1	2.0-4.1	3.6-6.3	4.6-8.2

**75° opening angle**



Door weights (kg) given are for one Maxi fitting

For cabinet widths greater than 600 mm, use 2 Maxi fittings

300	3.8-7.1	6.7-13.7	11.9-21.0	15.4-27.3
400	2.8-5.3	5.0-10.3	8.9-15.8	11.6-20.5
500	2.3-4.3	4.1-8.3	7.2-12.5	9.4-16.2
600	1.9-3.5	3.3-7.0	5.9-10.6	7.6-13.7
700	1.6-3.0	2.8-5.7	5.0-8.8	6.5-11.4
800	1.4-2.7	2.5-5.1	4.4-7.9	5.7-10.4
900	1.3-2.4	2.2-4.6	4.0-7.0	5.2-9.1
1000	1.1-2.1	2.0-4.1	3.6-6.3	4.6-8.2

**90° opening angle**



Door weights (kg) given are for one Maxi fitting

For cabinet widths greater than 600 mm, use 2 Maxi fittings









300	2.4-4.0	3.9-7.5	6.8-11.6	9.2-15.0
400	1.8-3.0	2.9-5.6	5.1-8.7	6.9-11.2
500	1.4-2.4	2.4-4.5	4.0-7.1	5.7-9.0
600	1.2-2.0	1.9-3.8	3.3-5.9	4.5-7.6
700	1.0-1.7	1.7-3.1	2.9-4.8	3.8-6.2
800	0.9-1.4	1.4-2.8	2.6-4.3	3.4-5.6
900	0.8-1.3	1.3-2.5	2.3-3.8	3.0-5.0
1000	0.7-1.2	1.1-2.2	2.0-3.5	2.7-4.5

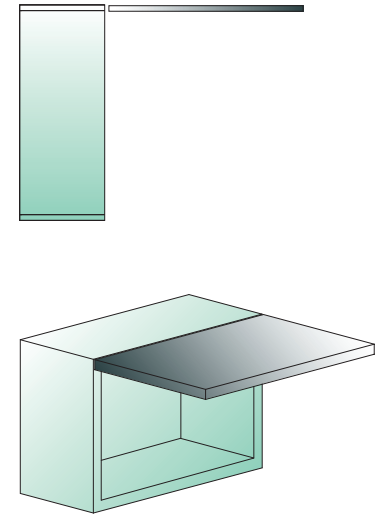
**110° opening angle**



Door weights (kg) given are for one Maxi fitting

For cabinet widths greater than 600 mm, use 2 Maxi fittings

	Art. no.	
<p><b>Maxi lift fitting</b> for medium to very heavy lids install right or left</p> <p>Opening angle: 75°, 90° and 110°</p>	<p>see table on the left</p> <p>27 1703 27 1704 27 1705 27 1706</p>	
<p><b>Mounting bracket</b> for 37-mm hole spacing for 28-mm hole spacing cabinet connector</p>	<p>27 0618 27 0622</p>	
<p><b>Mounting bracket for wooden doors</b> and doors with wide frames for euro screws for pan head screws</p>	<p>27 0628 27 0626</p>	
<p><b>Mounting bracket for wooden doors</b> and doors with wide frames with sliding clip for euro screws for Spax screws Ø 4 mm</p>	<p>27 0630 27 0633</p>	
<p><b>Mounting bracket</b> for 20-mm aluminium frame doors</p>	<p>27 0624</p>	
<p><b>Mounting bracket</b> for 20-mm aluminium frame doors with sliding clip</p>	<p>27 0635</p>	
<p><b>Maxi damper</b> die-cast zinc, nickel-plated plastic, grey</p>	<p>27 0666 27 0671</p>	
<p><b>Hex (Allen) key</b> 10 mm</p>	<p>27 1099</p>	



**Maxi Touch opening**

	<b>Model A grey</b>	<b>Model B beige</b>	<b>Model C white</b>	<b>Model D black</b>
Cabinet height (mm)	Art. no. <b>27 1703</b>	Art. no. <b>27 1704</b>	Art. no. <b>27 1705</b>	Art. no. <b>27 1706</b>
300	2.0-3.8	4.0-7.7	7.0-14.0	
400	1.6-3.1	3.0-6.3	5.0-11.5	7.0-12.5
500	1.3-2.5	2.7-5.2	4.7-8.4	5.5-10.5
600		2.4-4.5	4.3-7.8	4.7-8.4
700		2.2-4.0	4.0-7.5	4.3-8.0
800			3.6-6.2	3.9-7.3
900			3.4-5.8	3.5-6.7

**75° opening angle**



Door weights (kg) given are for one Maxi fitting  
For cabinet widths greater than 600 mm, use 2 Maxi fittings

300	2.0-3.5	3.3-6.7	6.0-10.3	7.8-13.6
400	1.5-2.6	2.5-5.0	5.5-7.8	5.8-10.2
500	1.2-2.1	2.0-4.0	3.6-6.3	4.7-8.2
600	1.0-1.8	1.7-3.3	3.0-5.2	3.9-6.8
700	0.9-1.4	1.4-2.7	2.5-4.3	3.2-5.7
800	0.7-1.3	1.2-2.6	2.2-3.9	2.9-5.1
900	0.7-1.2	1.1-2.2	2.0-3.4	2.6-4.5
1000	0.6-1.0	1.0-2.0	1.8-3.1	2.4-4.1

**90° opening angle**









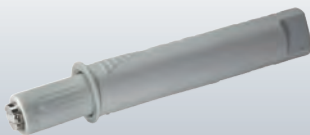
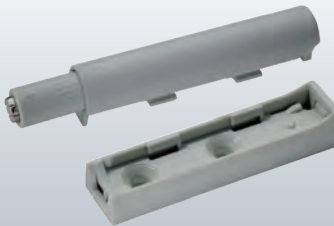


Door weights (kg) given are for one Maxi fitting  
For cabinet widths greater than 600 mm, use 2 Maxi fittings

300	1.2-2.9	2.6-5.5	4.6-9.5	
400	0.9-2.2	2.0-4.4	3.8-7.0	4.6-8.7
500	0.7-1.8	1.7-3.4	3.1-5.8	3.7-6.5
600		1.4-3.0	2.6-4.7	3.1-5.8
700			2.3-4.1	2.8-4.5
800			2.0-3.8	2.4-4.1
900				2.1-3.9
1000				1.8-3.7

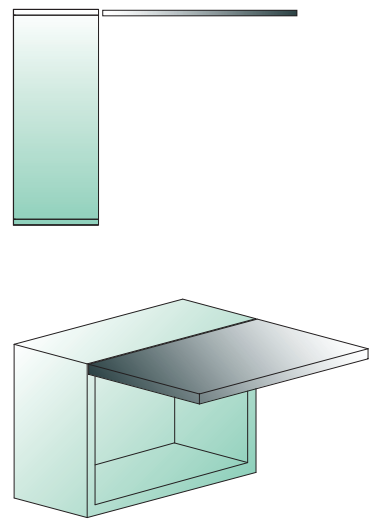
**110° opening angle**



Door weights (kg) given are for one Maxi fitting  
For cabinet widths greater than 600 mm, use 2 Maxi fittings

	Art. no.	
<p><b>Maxi lift fitting</b> for medium to very heavy lids install right or left</p> <p>Opening angle: 75°, 90° and 110°</p>	<p>see table on the left</p> <p>27 1703 27 1704 27 1705 27 1706</p>	
<p><b>Mounting bracket</b> for 37-mm hole spacing for 28-mm hole spacing</p>	<p>27 0618 27 0622</p>	
<p><b>Mounting bracket for wooden doors</b> and doors with wide frames for euro screws for pan head screws</p>	<p>27 0628 27 0626</p>	
<p><b>Mounting bracket for wooden doors</b> and doors with wide frames with sliding clip for euro screws for Spax screws Ø 4 mm</p>	<p>27 0630 27 0633</p>	
<p><b>Mounting bracket</b> for 20-mm aluminium frame doors</p>	<p>27 0624</p>	
<p><b>Mounting bracket</b> for 20-mm aluminium frame doors with sliding clip</p>	<p>27 0635</p>	
<p><b>Magnetic catch</b></p>	<p>27 1520</p>	
<p><b>Magnetic catch with base plate</b></p>	<p>27 1521</p>	
<p><b>Counterplate for magnet</b> knock in</p>	<p>27 1522</p>	
<p><b>Hex (Allen) key</b> 10 mm</p>	<p>27 1099</p>	

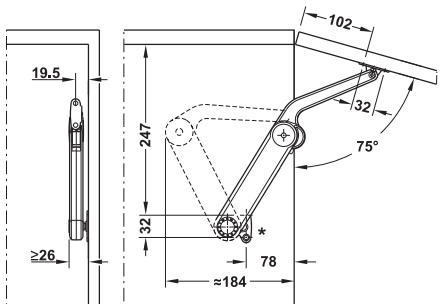




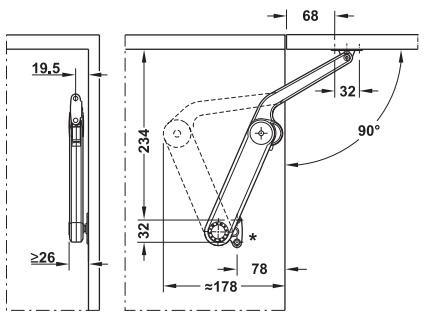
Maxi lift fittings

	Model A grey	Model B beige	Model C white	Model D black
Cabinet height (mm)	Art. no. <b>27 1703</b>	Art. no. <b>27 1704</b>	Art. no. <b>27 1705</b>	Art. no. <b>27 1706</b>
300	3.8-7.1	6.7-13.7	11.9-21.0	15.4-27.3
400	2.8-5.3	5.0-10.3	8.9-15.8	11.6-20.5
500	2.3-4.3	4.1-8.3	7.2-12.5	9.4-16.2
600	1.9-3.5	3.3-7.0	5.9-10.6	7.6-13.7
700	1.6-3.0	2.8-5.7	5.0-8.8	6.5-11.4
800	1.4-2.7	2.5-5.1	4.4-7.9	5.7-10.4
900	1.3-2.4	2.2-4.6	4.0-7.0	5.2-9.1
1000	1.1-2.1	2.0-4.1	3.6-6.3	4.6-8.2
Door weights (kg) given are for one Maxi fitting				
For cabinet widths greater than 600 mm, use 2 Maxi fittings				
300	3.8-7.1	6.7-13.7	11.9-21.0	15.4-27.3
400	2.8-5.3	5.0-10.3	8.9-15.8	11.6-20.5
500	2.3-4.3	4.1-8.3	7.2-12.5	9.4-16.2
600	1.9-3.5	3.3-7.0	5.9-10.6	7.6-13.7
700	1.6-3.0	2.8-5.7	5.0-8.8	6.5-11.4
800	1.4-2.7	2.5-5.1	4.4-7.9	5.7-10.4
900	1.3-2.4	2.2-4.6	4.0-7.0	5.2-9.1
1000	1.1-2.1	2.0-4.1	3.6-6.3	4.6-8.2
Door weights (kg) given are for one Maxi fitting				
For cabinet widths greater than 600 mm, use 2 Maxi fittings				
300	2.4-4.0	3.9-7.5	6.8-11.6	9.2-15.0
400	1.8-3.0	2.9-5.6	5.1-8.7	6.9-11.2
500	1.4-2.4	2.4-4.5	4.0-7.1	5.7-9.0
600	1.2-2.0	1.9-3.8	3.3-5.9	4.5-7.6
700	1.0-1.7	1.7-3.1	2.9-4.8	3.8-6.2
800	0.9-1.4	1.4-2.8	2.6-4.3	3.4-5.6
900	0.8-1.3	1.3-2.5	2.3-3.8	3.0-5.0
1000	0.7-1.2	1.1-2.2	2.0-3.5	2.7-4.5
Door weights (kg) given are for one Maxi fitting				
For cabinet widths greater than 600 mm, use 2 Maxi fittings				

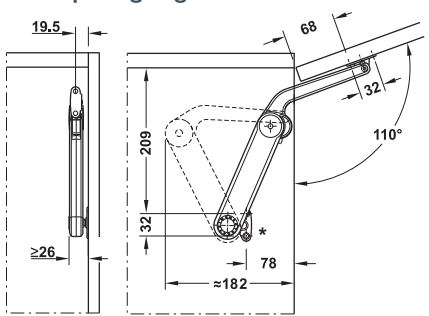
75° opening angle







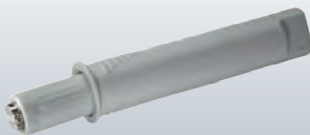
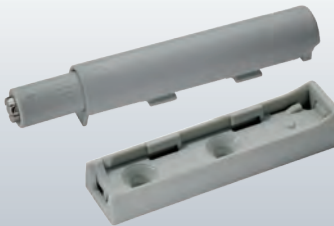




90° opening angle



110° opening angle



	Art. no.	
<p><b>Maxi lift fitting</b> for medium to very heavy lids install right or left</p> <p>Opening angle: 75°, 90° and 110°</p>	<p>see table on the left</p> <p>27 0542 27 0546 27 0550 27 0554</p>	
<p><b>Mounting bracket</b> for 37-mm hole spacing for 28-mm hole spacing</p>	<p>27 0618 27 0622</p>	
<p><b>Mounting bracket for wooden doors</b> and doors with wide frames for euro screws for pan head screws</p>	<p>27 0628 27 0626</p>	
<p><b>Mounting bracket for wooden doors</b> and doors with wide frames with sliding clip for euro screws for Spax screws Ø 4 mm</p>	<p>27 0630 27 0633</p>	
<p><b>Mounting bracket</b> for 20-mm aluminium frame doors</p>	<p>27 0624</p>	
<p><b>Mounting bracket</b> for 20-mm aluminium frame doors with sliding clip</p>	<p>27 0635</p>	
<p><b>Magnetic catch</b></p>	<p>27 1520</p>	
<p><b>Magnetic catch with base plate</b></p>	<p>27 1521</p>	
<p><b>Counterplate for magnet</b> knock in</p>	<p>27 1522</p>	
<p><b>Hex (Allen) key</b> 10 mm</p>	<p>27 1099</p>	







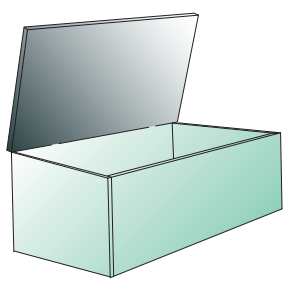
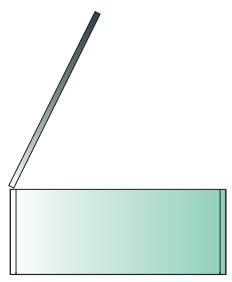
**Maxi up**



Maxi up

Cabinet height (mm)	Model	Lid weight 1 Maxi up (kg)	Lid weight 2 Maxi up (kg)	Colour	Art. no.
400	F	1.6-3.1	3.2-6.2	blue	on request
	G	3-5.3	6.0-10.6	brown	on request
	H	5.2-9.4	10.4-18.8	black	<b>27 1717</b>
500	F	1.3-2.6	2.6-5.2	blue	on request
	G	2.5-4.2	5-8.4	brown	on request
	H	4.3-7.5	8.6-15	black	<b>27 1717</b>
600	F	1.1-2.5	2.2-5	blue	on request
	G	2.3-4.2	4.6-8.4	brown	on request
	H	4-6.7	8-13.4	black	<b>27 1717</b>

75° opening angle



Lid weights (kg) given are for one Maxi up fitting  
For widths greater than 600 mm, use 2 Maxi up fittings

**Maxi up lift fitting**

One fitting can support a lid weighing between 1 kg and 9 kg and a length up to 400 mm and hold it in any position; easy to install; install right or left

Art. no.

see table on the left

**Mounting bracket for 37-mm hole spacing**

27 0111

**Mounting bracket for 28-mm hole spacing**

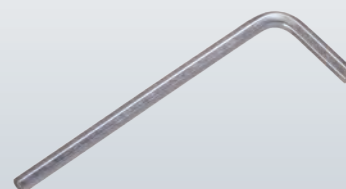
27 0622

**Mounting bracket for wooden lids and lids with wide frames**

27 0107

**Hex (Allen) key 10 mm**

27 1099

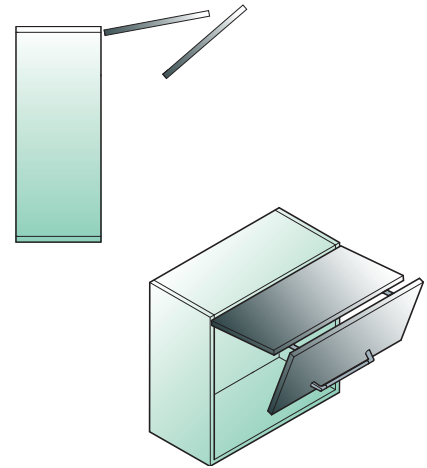






## Senso/E-Senso




**Senso**

Cabinet height (mm)	Door weight (kg)	Art. no.
550 (540-580)	3-6.5	<b>27 1607</b>
	6-12	<b>27 1610</b>
	9-18	<b>27 1612</b>
	12-24.5	<b>27 1613</b>
600 (580-640)	3-6	<b>27 1615</b>
	6-11	<b>27 1617</b>
	9-17	<b>27 1619</b>
	12-23	<b>27 1621</b>
650 (640-700)	3-5	<b>27 1622</b>
	5.5-10	<b>27 1623</b>
	8-16	<b>27 1625</b>
	10.5-21.5	<b>27 1627</b>
720 (700-780)	3.5-5.5	<b>27 1628</b>
	5-9	<b>27 1629</b>
	7-15	<b>27 1634</b>
	9-20	<b>27 1638</b>
800 (780-840)	5-9	<b>27 1640</b>
	7-13	<b>27 1641</b>
	9-17	<b>27 1642</b>
865 (840-900)	5-12	<b>27 1643</b>
	7.5-16	<b>27 1645</b>

**Set consists of:**

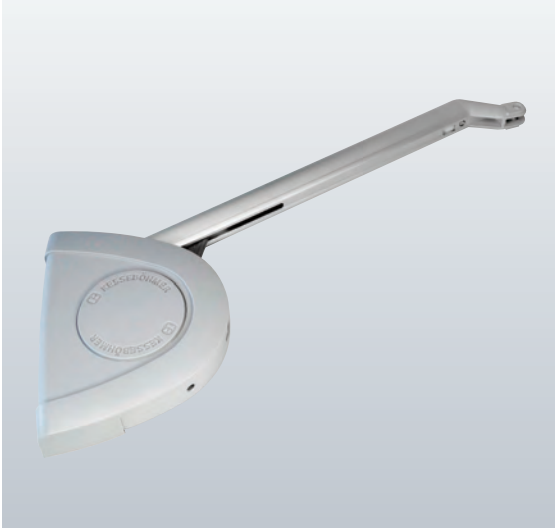
- 2 Senso mechanisms + covers
- 2 base plates
- 2 flap bearings for wooden fronts
- 4 screws M5 x 16

**Senso lift fitting**

made of steel and plastic  
with die-cast zinc base plate and  
plastic flap bearings

**Art. no.**

see table  
on the left

**Flap bearing with oblong hole**

for 20 mm aluminium frame profile

**27 1080****Adapter**

for 20 mm aluminium frame profile

nickel plated

pearl chrome plated

**27 1092****27 1452****Middle hinge**

with guide pin

euro screw

pan head screw

**27 1558****27 1559**

without guide pin

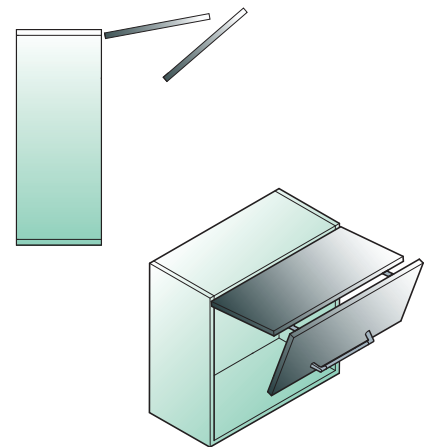
euro screw

pan head screw




**E-Senso**

Cabinet height (mm)	Door weight (kg)	Art. no.
555 (540-580)	2.5-6.5	<b>27 1648</b>
	6-11	<b>27 1649</b>
	9.5-18	on request
	13-22	on request
600 (580-640)	2.5-6	on request
	5.5-10	<b>27 1650</b>
	7.5-17	on request
	12-21	<b>27 1651</b>
650 (640-700)	3-5.5	on request
	5.5-9	on request
	7-14.5	<b>27 1652</b>
	10.5-18.5	<b>27 1653</b>
720 (700-780)	3-5	on request
	4.5-8	<b>27 1654</b>
	7-14	<b>27 1655</b>
	9-16.5	<b>27 1656</b>
800 (780-840)	4.5-8	on request
	7-11	<b>27 1657</b>
	9-14	<b>27 1658</b>
865 (840-900)	5-10	<b>27 1659</b>
	7-12	<b>27 1660</b>


**Set consists of:**

- 2 E-mechanisms + covers
- 2 base plates
- 2 flap bearings for wooden fronts/  
wide aluminium frame doors
- 4 screws M5 x 16
- cable clip
- cable terminal
- 1 control unit
- 1 remote button + battery
- connecting cable
- hex (Allen) key, 4 mm
- assembly and operating instructions
- power supply cable (euro connector)





**E-Senso lift fitting**

made of aluminium, plastic and other materials, with die-cast zinc base plate, plastic flap bearings and remote button, inclusive  
see table on the left

**Art. no.**

 see table  
on the left

**E-Senso control unit**

with power supply cable D and connecting cables


**Flap bearing**

for 20 mm aluminium frame profile

**27 1080**

**Adapter**

for 20 mm aluminium frame profile

nickel plated

**27 1092**

pearl chrome plated

**27 1452**

**Middle hinge**

with guide pin

euro screw

pan head screw

**27 1558**
**27 1559**

without guide pin

euro screw

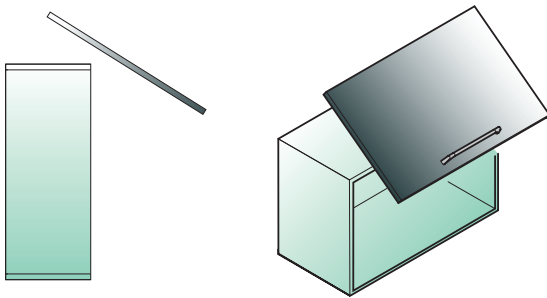
pan head screw


**Cable**
**GB 27 1147**
**DK on request**
**CH on request**
**IT on request**






## Verso/E-Verso



**Verso**

Cabinet height (mm)	Door weight (kg)	Art. no.
420-550	2-4	<b>27 1582</b>
	4-8	<b>27 1583</b>
	6-10	<b>27 1584</b>
	8-17	<b>27 1585</b>
550-650	2-3.5	<b>27 1582</b>
	3.5-7	<b>27 1583</b>
	6-10	<b>27 1584</b>
	9-16	<b>27 1585</b>
650-800	3-6.5	<b>27 1583</b>
	5-10	<b>27 1584</b>
	9-15	<b>27 1585</b>

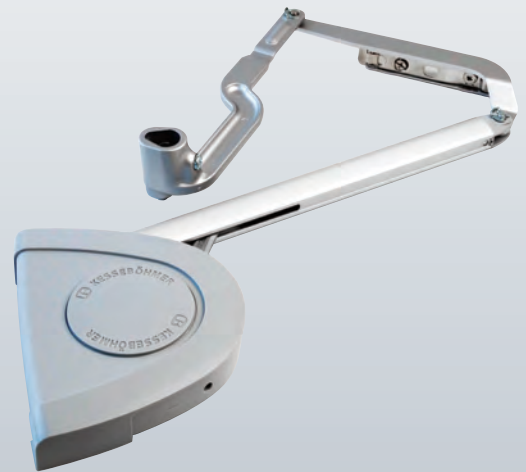
**Set consists of:**

- 2 Verso mechanisms + covers
- 2 base plates
- 2 mounting brackets
- 2 adapter plates (left + right)
- 4 screws M5 x 16
- 2 cam followers (left + right)
- 2 setting elements (left + right)

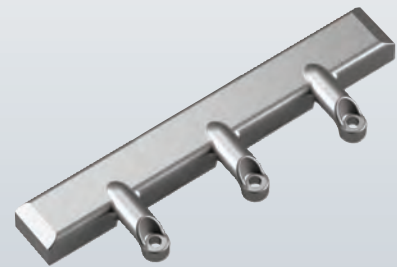
**Verso lift fitting**

made of steel and plastic  
with die-cast zinc mounting brackets and  
steel and die-cast zinc base plates,  
adapter plate made of die-cast zinc and  
plastic

**Art. no.**

 see table  
on the left

**Adapter**

for 20 mm aluminium frame  
nickel-plated

**27 1687**

**Connecting rod**

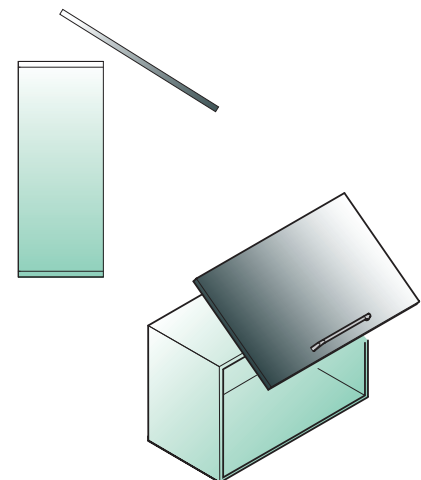
aluminium  
side panel thickness 16/19

for cabinet width:	600 mm	<b>27 1110</b>
	900 mm	<b>27 1115</b>
	1200 mm	<b>27 1121</b>
	1500 mm	<b>27 1127</b>
	1800 mm	<b>27 1128</b>



**E-Verso**

Cabinet height (mm)	Door weight (kg)	Art. no.
420	2-5	27 1586
	4-9	27 1587
	6-12	27 1588
500	10-18	27 1589
	2-4.5	27 1586
	4-8	27 1587
	6-14	27 1588
600	8-16	27 1589
	2-4.5	27 1586
	4-8	27 1587
700	6-11	27 1588
	8-15	27 1589
	3.5-6.5	27 1587
800	6-10	27 1588
	8.5-14	27 1589
	3-5.5	27 1587
	5-9.5	27 1588
	8-12	27 1589

**Set consists of:**

- 2 E-mechanisms + covers
- 2 base plates
- 2 mounting brackets
- 2 adapter plates (left + right)
- 4 screws M5 x 16
- 2 cam followers (left + right)
- 2 setting elements (left + right)
- 1 control unit
- 1 remote button + battery
- connecting cable
- hex (Allen) key, 4 mm
- assembly and operating instructions
- cable clip
- cable terminal
- power supply cable (euro connector)



**E-Verso lift fitting**

made of steel and plastic  
with die-cast zinc mounting brackets and  
steel and die-cast zinc base plate,  
adapter plate made of die-cast zinc and  
plastic, remote button inclusive

**Art. no.**

 see table  
on the left

**E-Verso control unit**

with power supply cable D and connecting  
cables


**Adapter**

for 20 mm aluminium frame  
nickel-plated

**27 1687**

**Connecting rod**

aluminium  
side panel thickness 16/19

for cabinet width:

600 mm	<b>27 1110</b>
900 mm	<b>27 1115</b>
1200 mm	<b>27 1121</b>
1500 mm	<b>27 1127</b>
1800 mm	<b>27 1128</b>


**Cable**

GB	<b>27 1147</b>
DK	on request
CH	on request
IT	on request

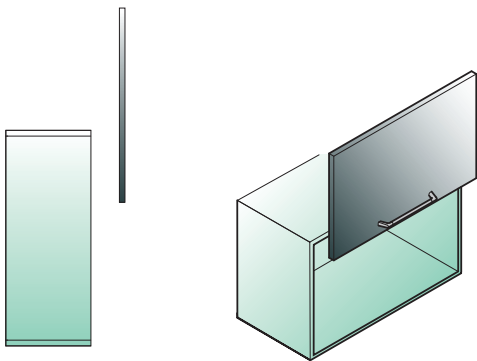








## Strato/E-Strato


**Strato**

Cabinet height (mm)	Door weight (kg)	Art. no.
342 (342-420)	1.5-4	<b>27 1560</b>
	4-7.2	<b>27 1561</b>
	6.5-11.5	<b>27 1562</b>
420 (420-500)	2-3.5	<b>27 1563</b>
	3.5-7	<b>27 1564</b>
	6.5-11	<b>27 1565</b>
500 (500-550)	8-16	<b>27 1566</b>
	3.8-10	<b>27 1567</b>
	6-15	<b>27 1568</b>
600 (550-650)	3.5-10	<b>27 1569</b>
	6-14.5	<b>27 1570</b>

**Set consists of:**

- 2 Strato mechanisms + covers
- 2 base plates
- 2 mounting brackets
- 2 adapter plates (left + right)
- 4 screws M5 x 16
- 2 cam followers (left + right)
- 2 setting elements (left + right)

**Strato lift fitting**

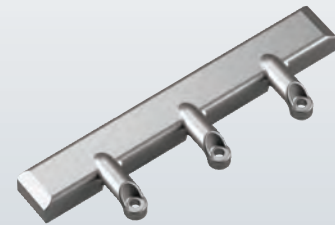
made of steel and plastic  
with die-cast zinc mounting brackets and  
steel and die-cast zinc base plate, adapter  
plate made of die-cast zinc and plastic

**Art. no.**

 see table  
on the left

**Adapter**

for 20 mm aluminium frame  
nickel-plated

**27 1687**

**Connecting rod**

aluminium  
side panel thickness 16/19

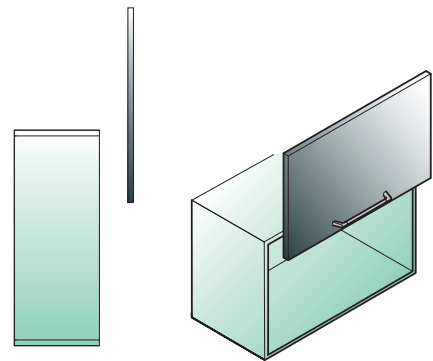
for cabinet width:	600 mm	<b>27 1110</b>
	900 mm	<b>27 1115</b>
	1200 mm	<b>27 1121</b>
	1500 mm	<b>27 1127</b>
	1800 mm	<b>27 1128</b>





**Strato**

Cabinet height (mm)	Door weight (kg)	Art. no.
342-420	1.5-4	27 1571
	3.5-7	27 1572
	6-10.5	27 1573
420-500	2-3.5	27 1574
	3-7	27 1575
	6-10.5	27 1576
500-550	8-14	27 1577
	3.8-9	27 1578
	7-12	27 1579
550-650	4.5-10	27 1580
	6-11	27 1581



**Set consists of:**

- 2 E-mechanisms + covers
- 2 base plates
- 2 mounting brackets
- 2 adapter plates (left + right)
- 4 screws M5 x 16
- 2 cam followers (left + right)
- 2 setting elements (left + right)
- 1 control unit
- 1 remote button + battery
- connecting cables
- hex (Allen) key, 4 mm
- assembly and operating instructions
- cable clip
- cable terminal
- power supply cable (euro connector)



**E-Strato lift fitting**

made of aluminium, plastic and other materials, with mounting brackets made of die-cast zinc and steel, die-cast zinc mounting plate, adapter plate made of die-cast zinc and plastic, remote button inclusive

**Art. no.**

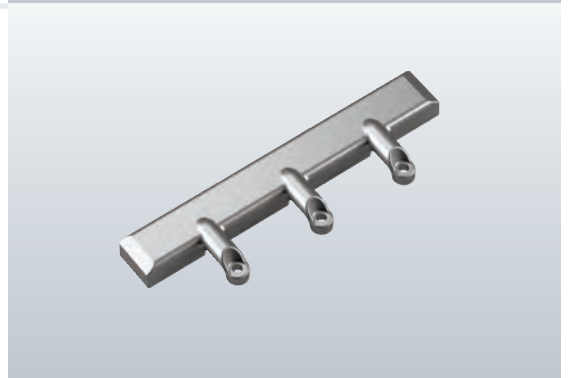
 see table  
on the left

**E-Strato control unit**

with power supply cable D and connecting cables


**Adapter**

for 20 mm aluminium frame  
nickel-plated

**27 1687**

**Connecting rod**

aluminium  
side panel thickness 16/19

for cabinet width:	600 mm	<b>27 1110</b>
	900 mm	<b>27 1115</b>
	1200 mm	<b>27 1121</b>
	1500 mm	<b>27 1127</b>
	1800 mm	<b>27 1128</b>


**Cable**

<b>GB</b>	<b>27 1147</b>
<b>DK</b>	on request
<b>CH</b>	on request
<b>IT</b>	on request







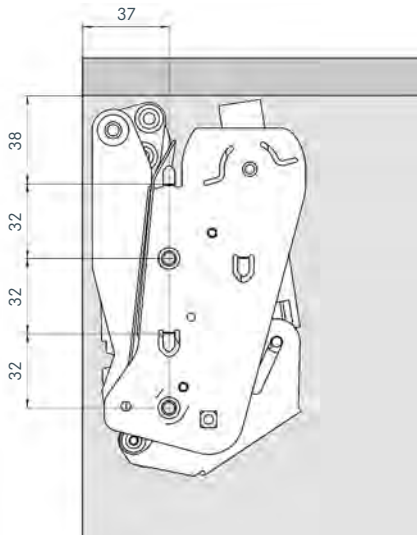
## FREEflap mini / FREEflap forte



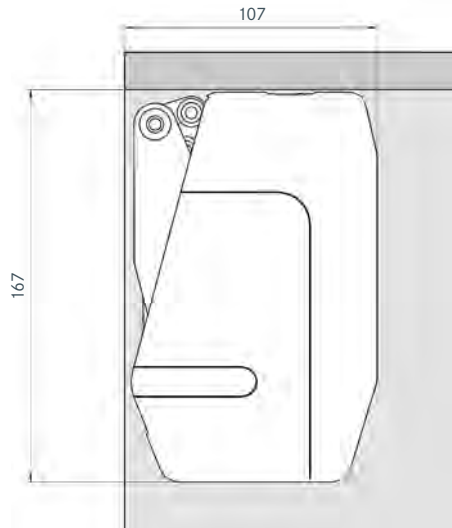
interzum award:  
intelligent  
material & design  
2013



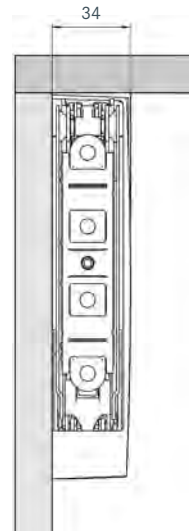
**FREEflap mini**



View from right (left fitting)

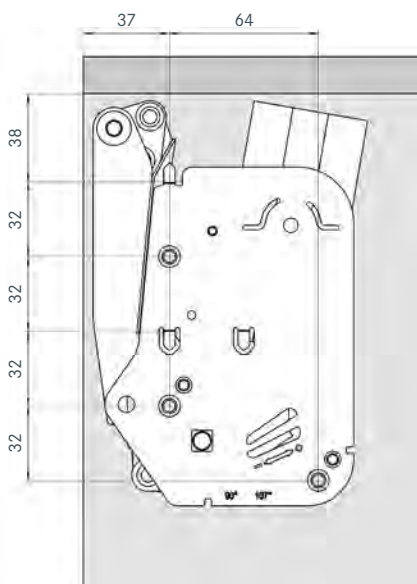


Left fitting with dress cap

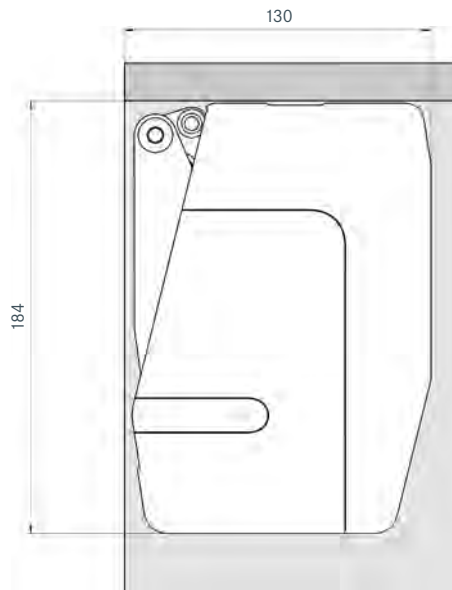


View from front

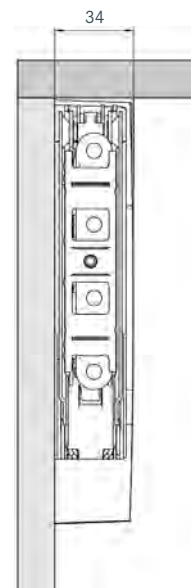
**FREEflap forte**



View from right (left fitting)

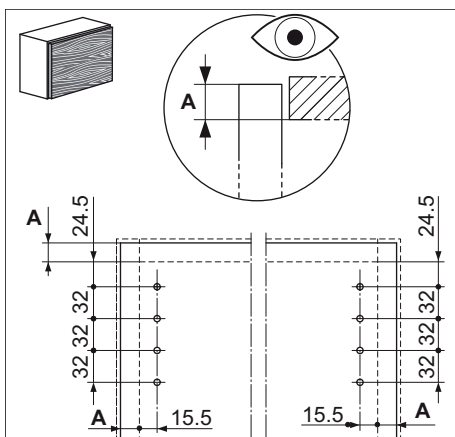


Left fitting with dress cap

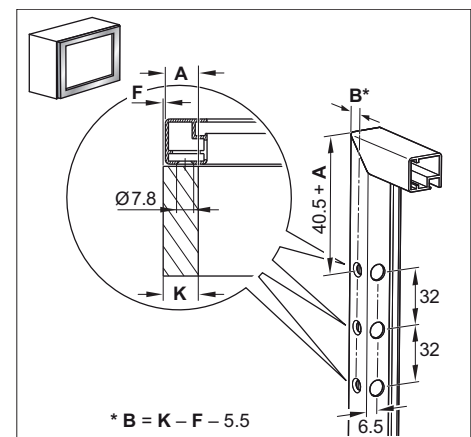


View from front

**Connecting the front flap – FREEflap mini and FREEflap forte**



Connecting wooden fronts and wide aluminium frame fronts



Connecting 20 mm aluminium frames

\*  $B = K - F - 5.5$



**FREEflap mini**

	FREEflap mini - A	FREEflap mini - B	FREEflap mini - C
<b>Art. no.</b>	<b>27 1661</b>	<b>27 1662</b>	<b>27 1663</b>
Cabinet height mm	Front weight* kg	Front weight* kg	Front weight* kg
≥200	1.7-4.6	3.7-7.9	6.8-14.7
≥225	1.5-4.1	3.1-7.1	6.0-13.1
≥250	1.3-3.8	2.9-6.4	5.4-11.8
≥275	1.2-3.3	2.5-5.7	4.8-10.6
≥300	1.1-3.1	2.4-5.1	4.4-9.6
≥325	1.0-2.8	2.1-4.6	4.0-8.8
≥350	0.9-2.6	2.0-4.2	3.7-8.1
≥375	0.9-2.3	1.9-3.8	3.5-7.5
≥400	0.8-2.1	1.7-3.6	3.2-7.0
≥425	0.7-1.9	1.5-3.4	2.9-6.5
≥450	0.6-1.7	1.4-3.2	2.7-6.1

\*Front weight incl. weight of handle


**One set consists of:**

- 2 FREEflap mini fittings (right and left)
- 2 dress caps for the fittings (right and left)
- 2 front flap connector plates

Total opening angle: 107°

**Colours:**

- 7035 (grey)
- 9966 (white)

**FREEflap forte**

	FREEflap forte - D	FREEflap forte - E	FREEflap forte - F	FREEflap forte - G
<b>Art. no.</b>	<b>27 1664</b>	<b>27 1665</b>	<b>27 1666</b>	<b>27 1667</b>
Cabinet height mm	Front weight* kg	Front weight* kg	Front weight* kg	Front weight* kg
≥350	5.2 - 11.0	6.7 - 14.3	10.1 - 21.4	13.5 - 27.3
≤375	4.9 - 10.2	6.3 - 13.1	9.4 - 19.8	12.5 - 25.2
≤400	4.7 - 9.6	5.9 - 12.4	8.9 - 18.6	11.8 - 23.3
≤425	4.4 - 9.0	5.6 - 11.6	8.3 - 17.4	11.0 - 21.8
≤450	4.1 - 8.4	5.2 - 10.9	7.8 - 16.3	10.4 - 20.5
≤475	3.9 - 8.0	4.9 - 10.3	7.4 - 15.4	9.8 - 19.3
≤500	3.7 - 7.5	4.7 - 9.7	7.0 - 14.6	9.2 - 18.3
≤525	3.5 - 7.1	4.4 - 9.2	6.6 - 13.9	8.8 - 17.3
≤550	3.3 - 6.8	4.2 - 8.8	6.3 - 13.2	8.3 - 16.5
≤575	3.2 - 6.5	4.0 - 8.4	6.0 - 12.5	8.0 - 15.6
≤600	3.0 - 6.2	3.8 - 8.0	5.7 - 12.0	7.6 - 15.0
≤625	2.8 - 5.9	3.6 - 7.6	5.4 - 11.5	7.2 - 14.4
≤650	2.6 - 5.6	3.4 - 7.3	5.3 - 11.0	6.9 - 14.0

\*Front weight incl. weight of handle


**One set consists of:**

- 2 FREEflap forte fittings (right and left)
- 2 dress caps for the fittings (right and left)
- 2 front flap connector plates

Total opening angle: 107°

90° opening angle limiter, integrated in the fitting

**Colours:**

- 7035 (grey)
- 9966 (white)

**Adapter**

for 20 mm aluminium frame  
nickel-plated

**Art. no.**  
**27 1687**



**Opening angle limiter 90°**  
for FREEflap mini

**Art. no.**  
**27 1688**





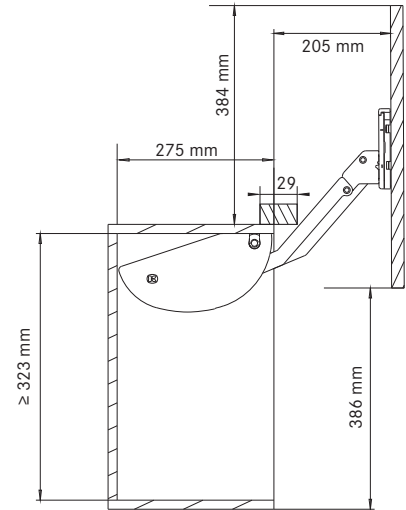


**EWIVA**

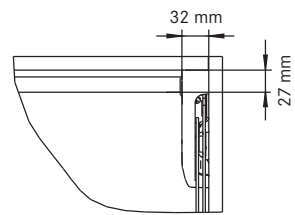




Front position



Space for fitting



## Impressive engineering design.

The EWIVA lift-up fitting is ideal for flaps that drop down to conceal a microwave or a steamer, installed at eye level in a full-height or wall-mounted unit. When the appliance is in use, the front flap is lifted up vertically – softly and silently. Fitted with SoftStopp Plus damping, front panel movement is gently braked in the final stages of opening and closing. The front panel is attached with snap-on connectors.





1 | The fitting is installed ...



2 | ... the front panel is held in position ...

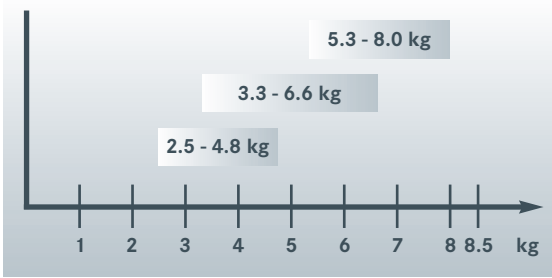


3 | and the connector snapped shut.

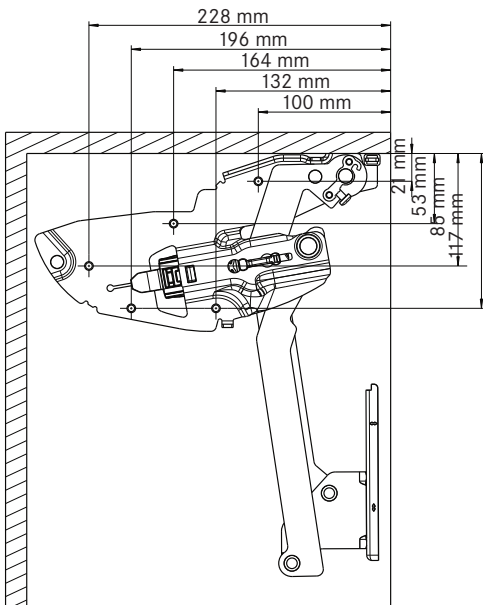
It's so  
**easy!**

With ClickFixx the front panel is simply clipped onto the fitting without tools.

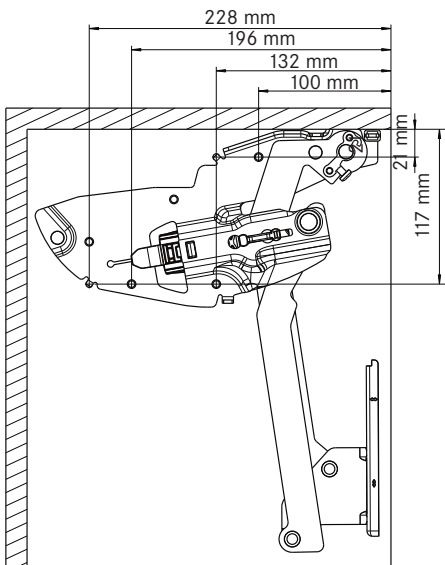




Hole positions (fitting without guide pin)



Hole positions (fitting with guide pin)



Art. no.      Dimensions (mm)

**EWIVA fitting**

As standard with



**EWIVA 60-cm complete set**

without guide pin;  
includes power pack and synchronising rod  
Note: front weight including handle

Art. no.	Max. front weight (incl. handle)	PU
001559	2.5 - 4.8 kg	1 set
001560	3.3 - 6.6 kg	1 set
001561	5.3 - 8.0 kg	1 set

**Ewiva packaged as set**

without guide pin;  
Power pack must be ordered separately

Art. no.	Fixed width	Width	1) Fitting	PU
001556	600		Fixed width	1 set
001557	900		can be cut to length	1 set
001558	1200		can be cut to length	1 set
001565	1500		can be cut to length	1 set
			2) Power pack	
			for max. front weight (incl. handle)	
001562			2.5 - 4.8 kg	1 unit
001563			3.3 - 6.6 kg	1 unit
001564			5.3 - 8.0 kg	1 unit

**EWIVA front brackets for aluminium frame fronts**

(packed in polybag)  
PU  
16 brackets

001545				PU
				16 brackets

**EWIVA fitting with guide pin**

Note: front weight including handle

Art. no.	Fixed width	1) Side elements	2) Covers	3) Power packs	4) Front brackets	5) Synchronising rod	PU
001540							16 units
001552							16 units
001541				for max. front weight (incl. handle):			16 units
001542				2.5 - 4.8 kg			16 units
001543				3.3 - 6.6 kg			16 units
				5.3 - 8.0 kg			16 units
001544					for wooden fronts		16 units
001545					for aluminium frames		16 units
001549	600						16 units
001550	900						16 units
001551	1200						16 units





## HSB lift-up fitting



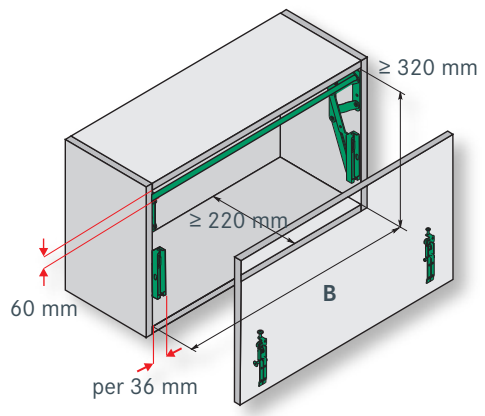
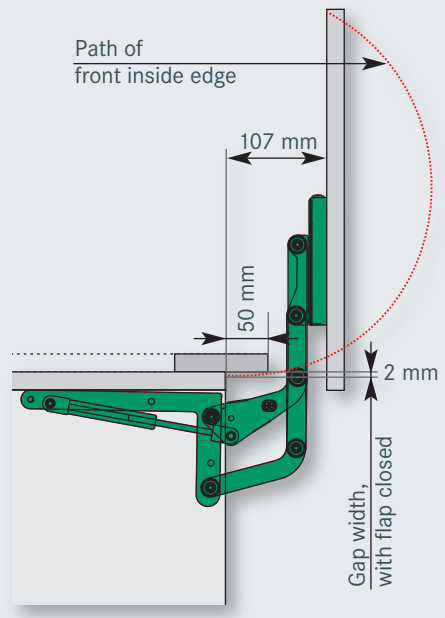
Art. no.      Dimensions (mm)

- 00 1348    up to 90 cm wide
- 00 1349    up to 120 cm wide
- 00 1352    up to 150 cm wide

**Door lift fitting I**  
**adaptable width**  
 adapt to individual cabinet width by cutting the aluminium connecting rod to length, includes compression springs – selected to match front weight (see table), concealed front attachment, lift height: 370 mm

**Door lift fitting I – adaptable width**

Art. no.	Inside cabinet width = B	Number of springs	à	Max. front weight
00 1348	max. 870 mm	2	250 N	5.0 kg
00 1349	max. 1170 mm	2	320 N	7.0 kg
00 1352	max. 1470 mm	2	380 N	8.5 kg

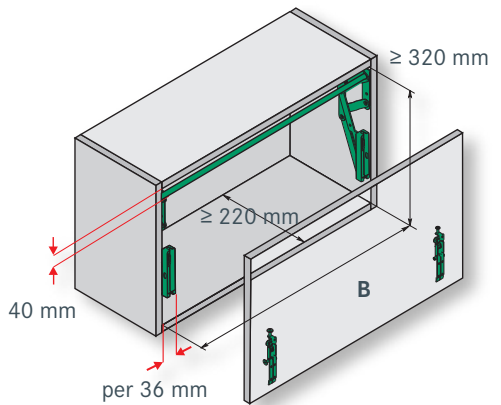
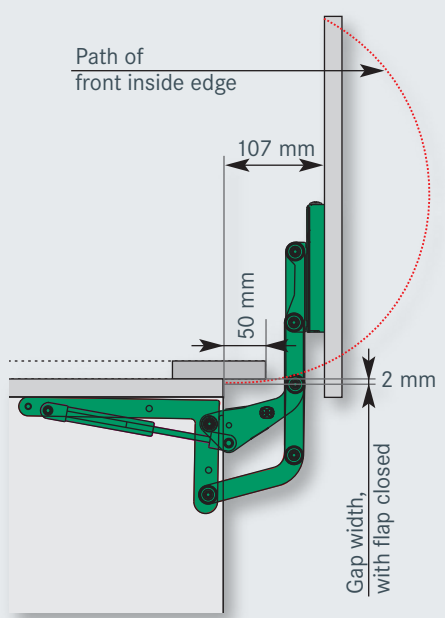


- 00 1345    for cabinets 45-60 cm wide
- 00 1346    for cabinets 60-90 cm wide
- 00 1347    for cabinets 90-120 cm wide

**Door lift fitting II**  
**adaptable width**  
 concealed front attachment incl. compression springs – selected to suit different front weights (see table), lift height: 370 mm

**Door lift fitting II – adaptable width**

Art. no.	Inside cabinet width = B	Number of springs	à	Max. front weight
00 1345	411-570 mm	2	200 N	4.0 kg
00 1346	561-870 mm	2	250 N	5.0 kg
00 1347	861-1170 mm	2	320 N	7.0 kg



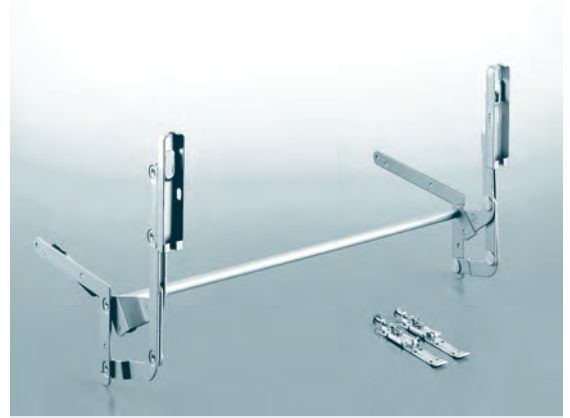
Dimensions (mm)    Art. no.

**Door lift fitting III**
**fixed width**

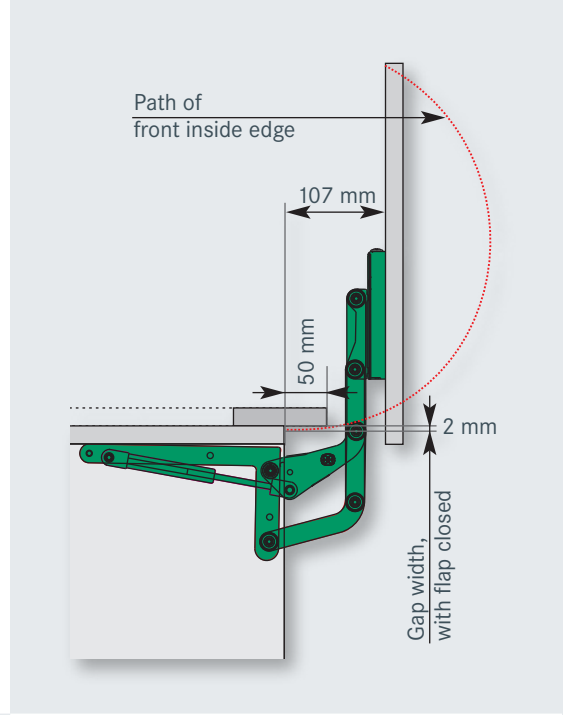
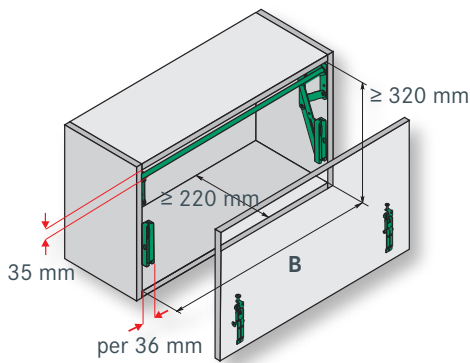
with connecting rod welded in place  
 concealed front attachment incl.  
 compression springs – selected to suit  
 different front weights (see table),  
 lift height: 370 mm

for cabinets  
 60 cm wide  
 90 cm wide  
 120 cm wide

**00 1341**  
**00 1343**  
**00 1340**  
**00 1342**  
**00 1350**  
**00 1351**


**Door lift fitting III – fixed width**

Side panel	Inside cabinet width = B	Number of springs	à	Max. front weight	Art. No.
19 mm	561	1	380 N	3.5 kg	<b>00 1341</b>
19 mm	561	2	200 N	4.0 kg	<b>00 1343</b>
16 mm	567	1	380 N	3.5 kg	<b>00 1340</b>
16 mm	567	2	200 N	4.0 kg	<b>00 1342</b>
16 mm	867	2	250 N	5.0 kg	<b>00 1350</b>
16 mm	1167	2	320 N	7.0 kg	<b>00 1351</b>


**Adapter for 19-mm aluminium profiles**

with 11 mm side overlay for  
 Door Lift fittings I, II and III

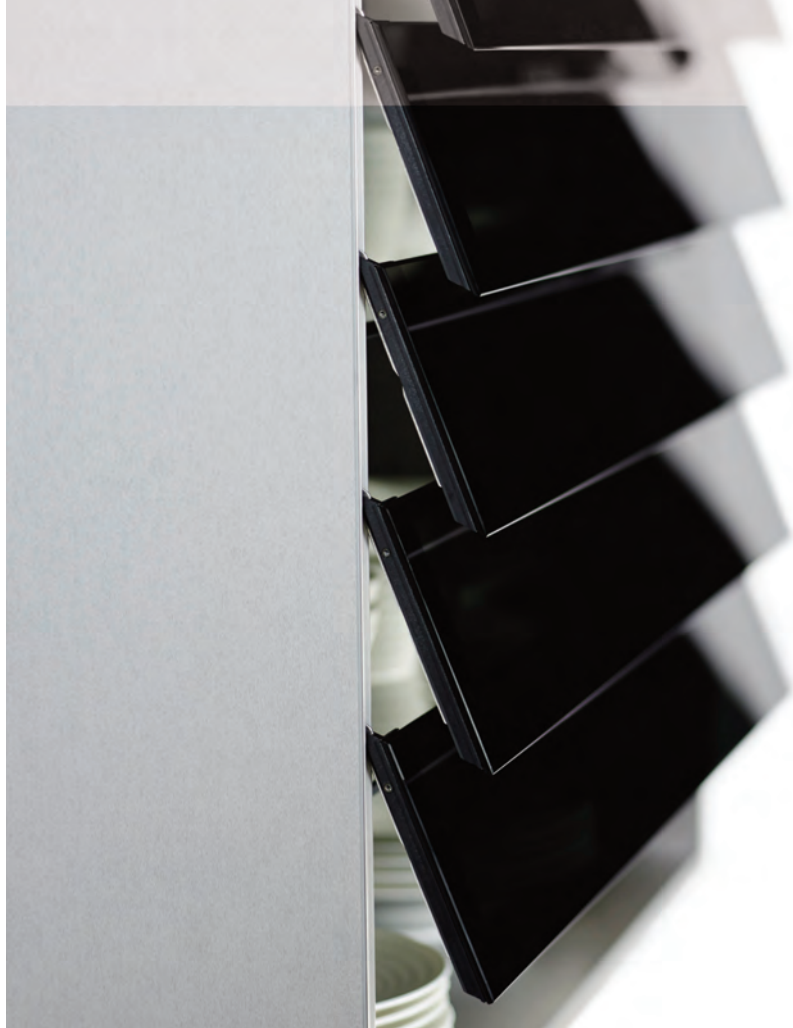
**00 1459**








**CLIMBER**



The CLIMBER is a wall unit with an electrically operated, glass slat front.

A light touch underneath the cabinet is enough to start the shimmering front splitting into slats that glide upwards in sequence to form a block at the top.

The cabinet can be supplied in three heights and two widths, in white or a stainless steel finish. The glass slats come in a choice of four colours.



Depth  
373

**CLIMBER cabinet, white**  
Fully assembled (w/o glass slats)  
incl. drive and glass shelves

	Height
00 1600 0354	650
00 1601 0354	780
00 1602 0354	910

for cabinet width: 600 mm  
1 glass shelf  
2 glass shelves  
2 glass shelves

00 1608 0354	650
00 1609 0354	780
00 1610 0354	910

for cabinet width: 900 mm  
1 glass shelf  
2 glass shelves  
2 glass shelves



**CLIMBER cabinet, stainless steel finish**  
Fully assembled (w/o glass slats)  
incl. drive and glass shelves

	Height
00 1600 0355	650
00 1601 0355	780
00 1602 0355	910

for cabinet width: 600 mm  
1 glass shelf  
2 glass shelves  
2 glass shelves

00 1608 0355	650
00 1609 0355	780
00 1610 0355	910

for cabinet width: 900 mm  
1 glass shelf  
2 glass shelves  
2 glass shelves



Dimensions (mm)    **Art. no.****CLIMBER glass slats, weiß**

for cabinet width: 600 mm	Height		
	650	00 1603 0130	
	780	01 1603 0130	
	910	02 1603 0130	
	for cabinet width: 900 mm	650	00 1611 0130
		780	01 1611 0130
910		02 1611 0130	

**CLIMBER glass slats, magnolia**

for cabinet width: 600 mm	Height		
	650	00 1603 0131	
	780	01 1603 0131	
	910	02 1603 0131	
	for cabinet width: 900 mm	650	00 1611 0131
		780	01 1611 0131
910		02 1611 0131	

**CLIMBER glass slats, translucent black**

for cabinet width: 600 mm	Height		
	650	00 1603 0132	
	780	01 1603 0132	
	910	02 1603 0132	
	for cabinet width: 900 mm	650	00 1611 0132
		780	01 1611 0132
910		02 1611 0132	

**CLIMBER glass slats, satinato**

for cabinet width: 600 mm	Height		
	650	00 1603 0133	
	780	01 1603 0133	
	910	02 1603 0133	
	for cabinet width: 900 mm	650	00 1611 0133
		780	01 1611 0133
910		02 1611 0133	

**Adapter**

GB/UK	00 1612 9005
AU	00 1613 9005



