

LeMans II

Page 3-3

Swing-out trays for 90-cm and 100-cm corner base units



MagicCorner

Page 3-9

Swing-out trays for 90-cm and 100-cm corner base units and highboards



180° solutions

Page 3-13

Individual solutions for 80-cm, 90-cm and 100-cm corner base units



REVO 90°

Page 3-21

Individual solutions for 80-cm and 90-cm corner base units



270° solutions

Page 3-29

Individual solutions for 80-cm and 90-cm corner base units



REVO 45°

Page 3-33

Segment tray solution for 90-cm corner base cupboards



Round and segment tray solutions

Page 3-39

Individual solutions for 90-cm to 105-cm corner base cupboards



TWISTER

Page 3-45

for 60-cm and 65-cm corner wall units



Round and segment trays

Page 3-49

for 60-cm and 65-cm corner wall units







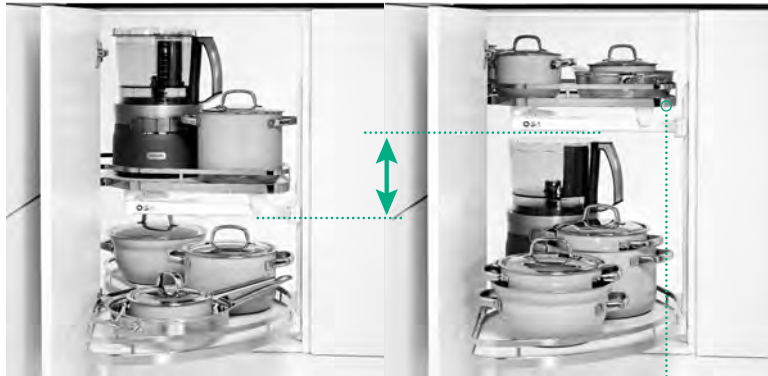
Optimal functionality –
for fascinating ease of use.

ClickFixx for fast, precision assembly



ClickFixx

Damped self-closing (option)



Height-adjustable trays



With the door opened only 85°, the trays will swing out completely

LeMans II – carrying on a long tradition.

LeMans II is the second generation of a successful product – with new, improved features and innovations. Kesseböhmer’s intelligent corner unit system is once again setting standards with new engineering quality and fascinating movement sequences.

Product features

- A door opening angle of just 85° allows the trays to swing out completely
- 25 kg load per tray
- Height-adjustable trays
- With ClickFixx for fast, precise, toolless assembly
- Damped self-closing (option)



LeMans II

LeMans II

The trays move smoothly and almost effortlessly out of the unit ...



... so that users have a clear view of all the contents and optimal access.



LeMans II scores high on efficiency and benefits.



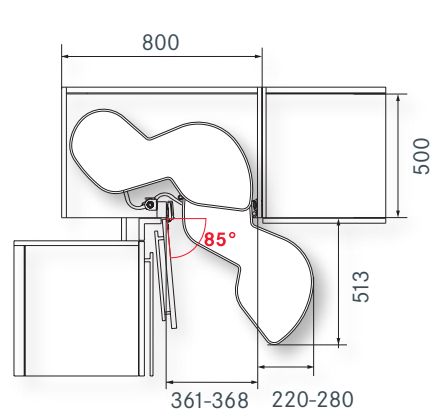
Variants

ARENA Classic

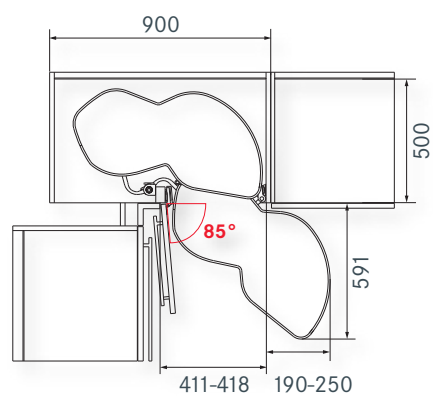


ARENA Style

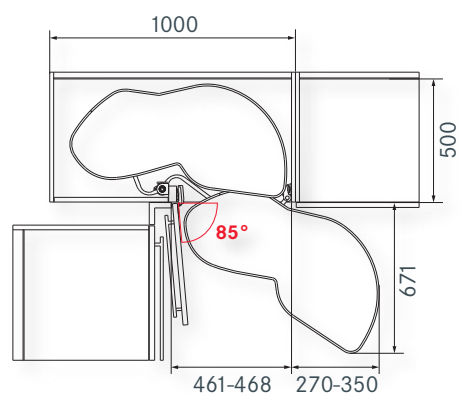




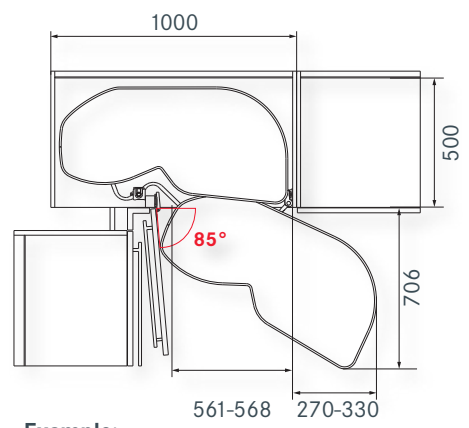
Example:
swings out to the right
(left cabinet – 40-cm door)



Example:
swings out to the right
(left cabinet – 45-cm door)

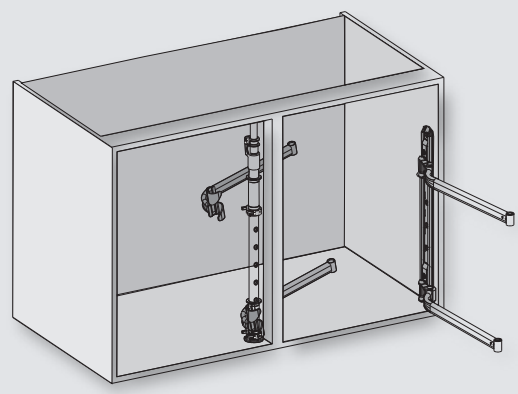
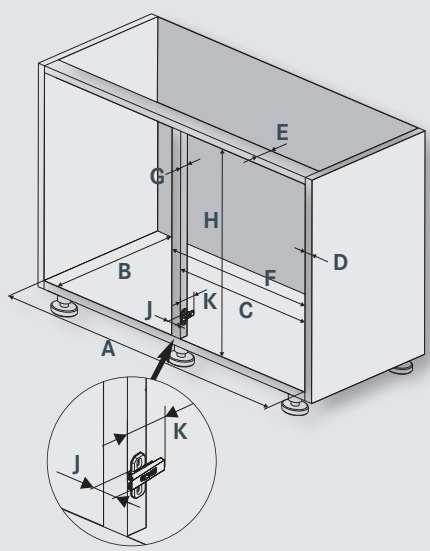


Example:
swings out to the right
(left cabinet – 50-cm door)



Example:
swings out to the right
(left cabinet – 60-cm door)

	Door widths			
mm	400	450	500	600
A	≥764	≥800	≥910	≥960
B	≥500	≥500	≥500	≥500
C	361-368	411-418	461-468	561-568
D	16-19	16-19	16-19	16-19
E	≥60	≥60	≥60	≥60
F	≤400	≤450	≤500	≤600
G	≤65	≤65	≤65	≤65
H	600-900	600-900	600-900	600-900
J	≤25	≤25	≤25	≤25
K	≤70	≤70	≤70	≤70



LeMans corner unit swing-out tray

ARENA Style

Sets (= 2 ARENA Style trays and accessories) without axle; payload: 25 kg/tray

	Door widths:	
Swings out to the right	400	07 7918
Swings out to the left		07 7919
Swings out to the right	450	07 7920
Swings out to the left		07 7921
Swings out to the right	500	07 7922
Swings out to the left		07 7923
Swings out to the right	600	07 7924
Swings out to the left		07 7925

Standard with
ARENAplus
 Anti-slip coating



LeMans corner unit swing-out tray

ARENA Classic

Sets (= 2 ARENA Classic trays and accessories) without axle; payload: 25 kg/tray

	Door widths:	
Swings out to the right	400	03 7918
Swings out to the left		03 7919
Swings out to the right	450	03 7920
Swings out to the left		03 7921
Swings out to the right	500	03 7922
Swings out to the left		03 7923
Swings out to the right	600	03 7924
Swings out to the left		03 7925

Standard with
ARENAplus
 Anti-slip coating



Axle, height-adjustable

- with 2 premounted bearing sleeves
- 1 cabinet-side M profile
- 1 top connector
- 1 axle bearing, bottom

for unit inside clearance:	
600-750 mm	00 7944
650-800 mm	00 7958
720-900 mm	00 7945



SoftStopp Plus dampers (set of 2)

for fittings swinging out to the right	00 7955
for fittings swinging out to the left	00 7956

SOFTSTOPPLUS

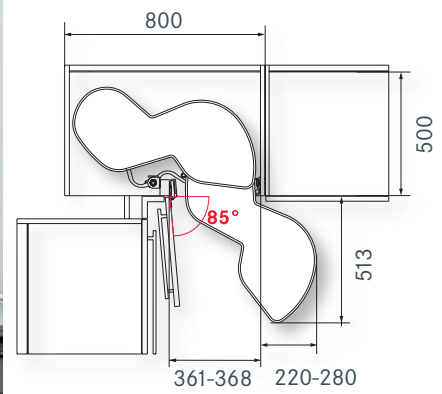




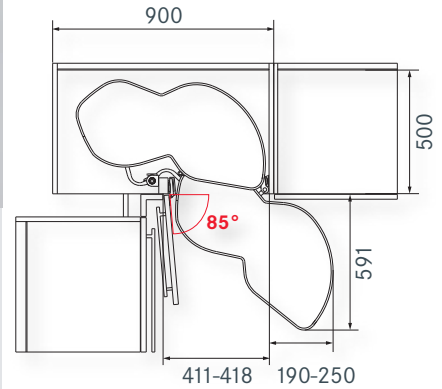


LeMans II

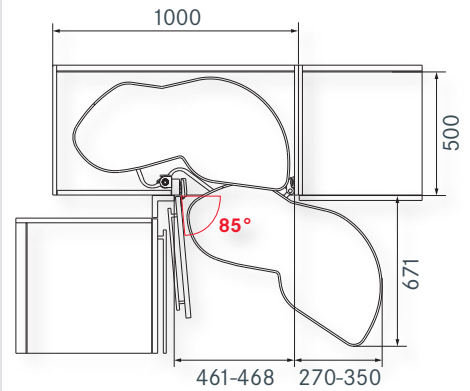
LeMans trays are a practical and very attractive solution for highboard corner units.



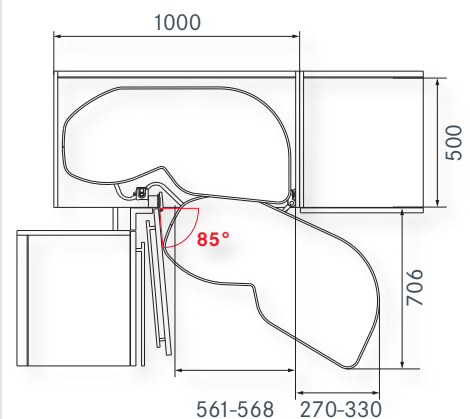
Example:
swings out to the right
(left cabinet – 40-cm door)



Example:
swings out to the right
(left cabinet – 45-cm door)

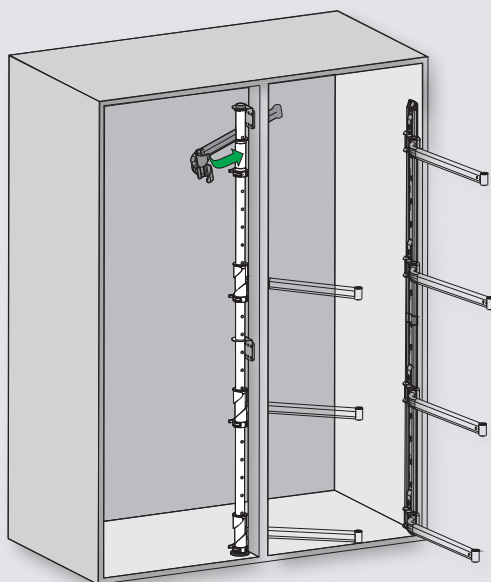
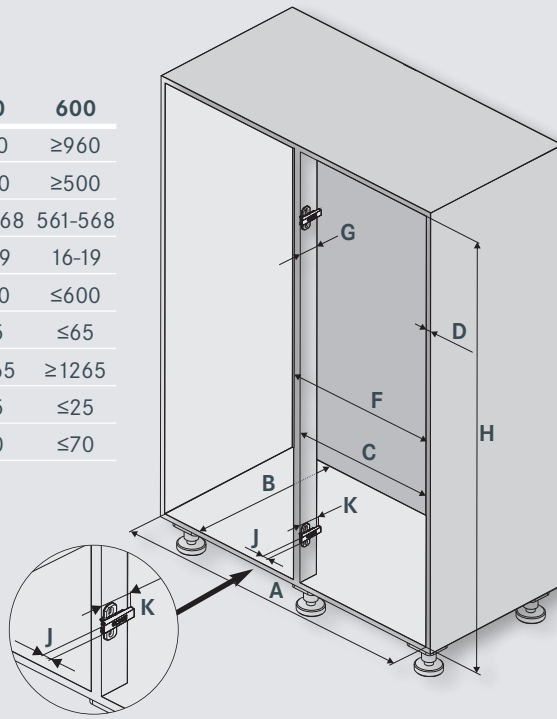


Example:
swings out to the right
(left cabinet – 50-cm door)



Example:
swings out to the right
(left cabinet – 60-cm door)

	Door widths			
mm	400	450	500	600
A	≥764	≥800	≥910	≥960
B	≥500	≥500	≥500	≥500
C	361-368	411-418	461-468	561-568
D	16-19	16-19	16-19	16-19
F	≤400	≤450	≤500	≤600
G	≤65	≤65	≤65	≤65
H	≥1265	≥1265	≥1265	≥1265
J	≤25	≤25	≤25	≤25
K	≤70	≤70	≤70	≤70



LeMans corner unit swing-out tray

ARENA Style

Sets (= 2 ARENA Style trays and accessories) without axle; payload: 25 kg/tray

	Door widths:	
Swings out to the right	400	07 7918
Swings out to the left		07 7919
Swings out to the right	450	07 7920
Swings out to the left		07 7921
Swings out to the right	500	07 7922
Swings out to the left		07 7923
Swings out to the right	600	07 7924
Swings out to the left		07 7925

Standard with
ARENAplus
 Anti-slip coating



LeMans corner unit swing-out tray

ARENA Classic

Sets (= 2 ARENA Classic trays and accessories) without axle; payload: 25 kg/tray

	Door widths:	
Swings out to the right	400	03 7918
Swings out to the left		03 7919
Swings out to the right	450	03 7920
Swings out to the left		03 7921
Swings out to the right	500	03 7922
Swings out to the left		03 7923
Swings out to the right	600	03 7924
Swings out to the left		03 7925

Standard with
ARENAplus
 Anti-slip coating



- Axle, 1250 mm**
- with 4 premounted bearing sleeves
- 2 cabinet-side M profiles
- 2 bearing brackets
- 1 locking clip
- 1 connector clip
- 1 bottom bearing

for clear inside height
 1250 mm **00 7943**



SoftStopp Plus dampers (set of 2)

for fittings swinging out to the right **00 7955**
 for fittings swinging out to the left **00 7956**





10:45

Miele



MagicCorner – a brilliant solution for corner space.



Frame adjustable for 90-cm and 100-cm unit widths

Precisely defined sequence of movements

Standard with:



On request with:

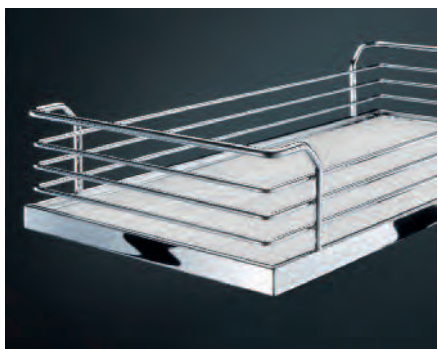


Choice of tray/basket styles

Metal baskets

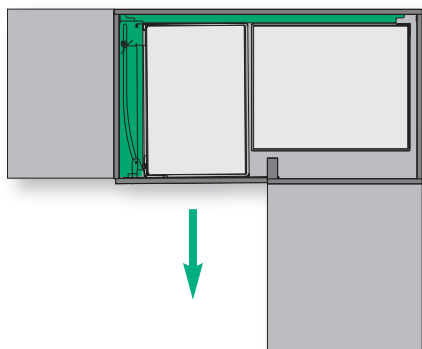


ARENA Classic

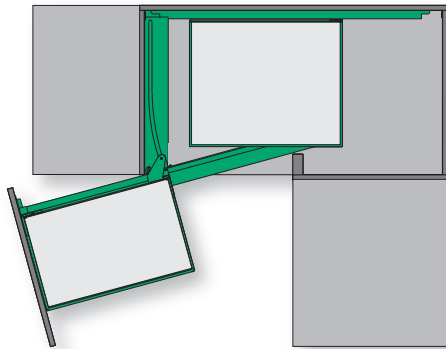


ARENA Style





Front pull-out moves out towards the end stop ...



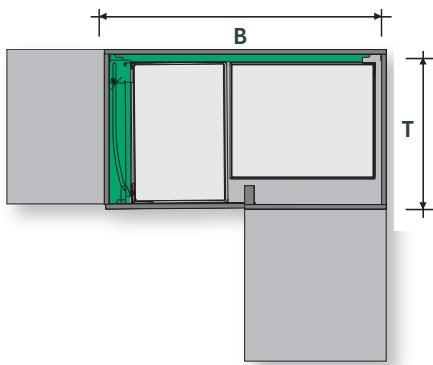
... and swivels aside (here installed to swivel right).

Simultaneously a follower mechanism draws the rear pull-out to the front of the cabinet.

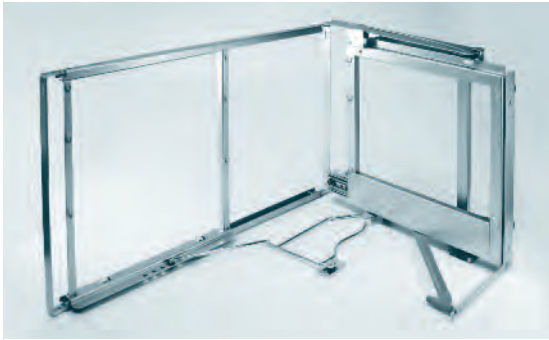




Swivels to the left



	Base unit	Highboard
B = inside width:	860-971 mm	860-968 mm
T = inside depth:	≥ 485 mm	≥ 500 mm
H = inside height:	≥ 525 mm	≥ 1230 mm
Min. door width	≥ 450 mm	≥ 450 mm
Max. payload	front section: 14 kg corner section: 18 kg	24 kg 28 kg
P = post depth	T = 485-500 mm	P ≤ 65
	T = 500-510 mm	P ≤ 80



Art. no. Dimensions (mm)

04 6203 swivels to the right

04 6204 swivels to the left

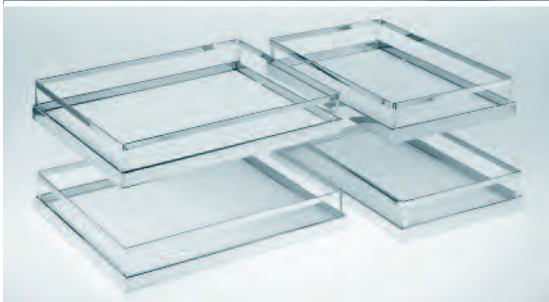
MagicCorner corner unit swivel pull-out
for 90 and 100 cm corner units



02 6209 swivels to the right

02 6210 swivels to the left

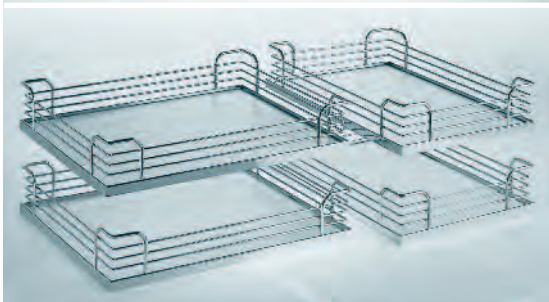
MagicCorner Highboard corner unit swivel pull-out
for 90 and 100 cm corner units



05 6207 2 trays
305 x 470 x 75
2 trays
390 x 470 x 75

Tray set ARENA Style
4 hook-on trays for MagicCorner corner unit swivel pull-out

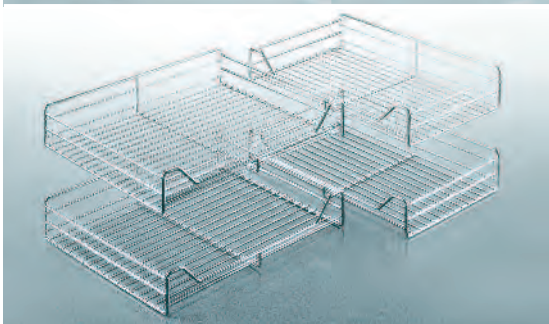
For Highboards 2 sets are required!



01 6207 2 trays
305 x 470 x 88
2 trays
390 x 470 x 88

Tray set ARENA Classic
4 hook-on trays for MagicCorner corner unit swivel pull-out

For Highboards 2 sets are required!



00 6207 2 baskets
305 x 470 x 85
2 baskets
390 x 470 x 85

Basket set
4 hook-on baskets for MagicCorner corner unit swivel pull-out

For Highboards 2 sets are required!



180° trays mounted on an axle



Organised space
on **three levels.**

The semicircular wire trays give the fitting a professional look.
It's easy to check the contents of the lower trays from above.

180° trays as carousel inside a hinged door

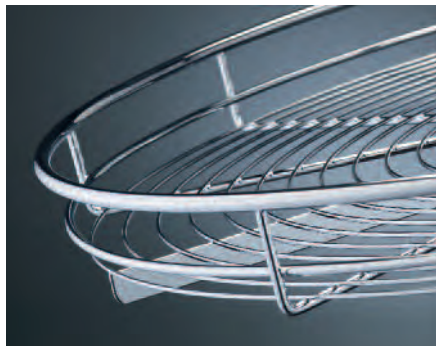
The benefit: even with three levels, contents are easy to reach

180° trays and metal baskets make good use of space

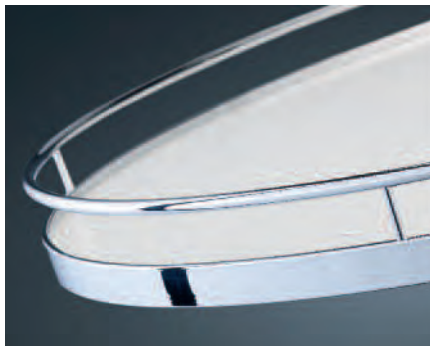


Choice of tray styles

Metal baskets

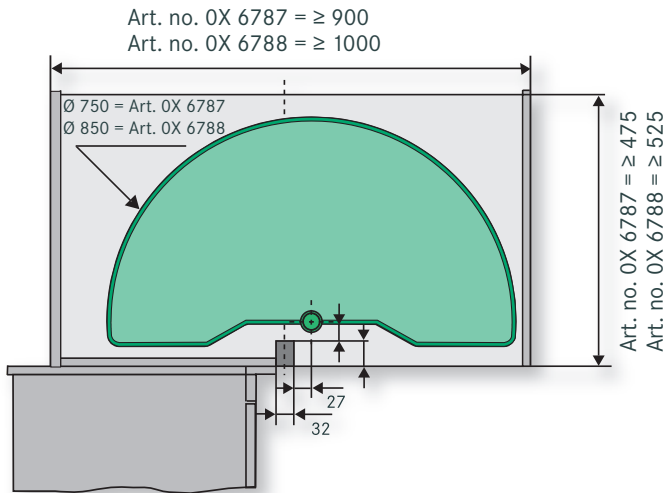


ARENA Classic



ARENA Style





90 cm and 100 cm corner base unit



Art. no. Dimensions (mm)

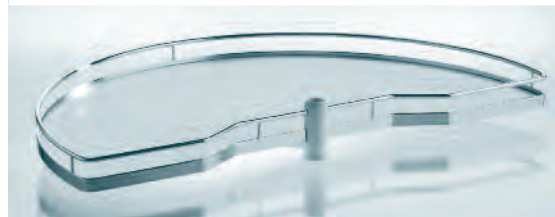
180° tray ARENA Style

fits on axle

WxDxH
05 6787 750 x 420 x 90
05 6788 850 x 470 x 90

for cabinet width 90
 for cabinet width 100

On request with
ARENAplus
 anti-slip finish


180° tray ARENA Classic

fits on axle

WxDxH
00 6787 750 x 420 x 90
00 6788 850 x 470 x 90

for cabinet width 90
 for cabinet width 100

On request with
ARENAplus
 anti-slip finish



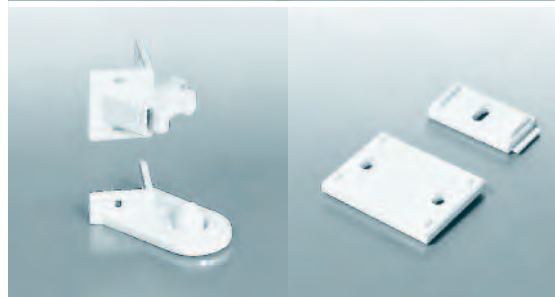
00 6771 length:
 542

Accessories only for ARENA Classic
 (page 3-28):

Lid rack Art. 006945
 Dividers Art. 00 6947 für Ø 750
 Art. 00 6947 für Ø 850

Axle

with upper support
 for 180° ARENA trays



00 6772 **Axle connection fitting** (left)
 set for top and bottom

00 6778 for a distance
 of 5 mm **Distance brackets** (right)
 for axle connection



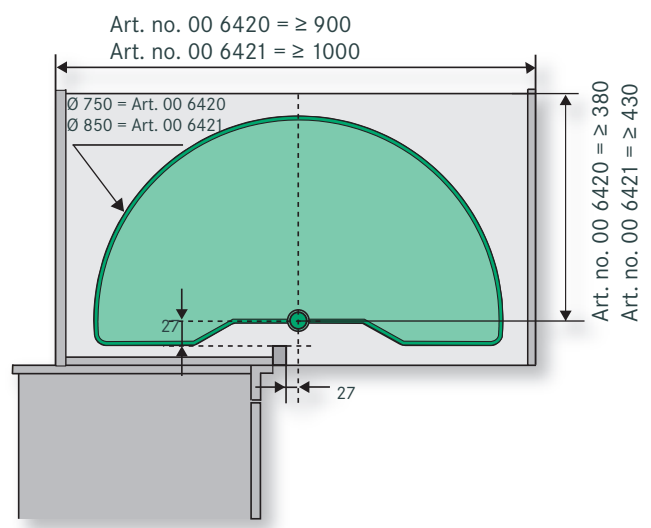
00 6794 suitable with post
 depth 65 mm **Follower for 180° ARENA tray**
 clips between bottom tray and door panel

Colour code:
 nickel-plated 0006



00 6795 **Door deflector for 180° ARENA tray**
 clips on, for shelves without the
 installation of the follower

Colour code: grey 7040

90 cm and 100 cm corner base unit


Dimensions (mm) Art. no.

180° metal basket
 fits on axle

 for 90 cm cabinet
 for 100 cm cabinet

 Ø 750 00 6420
 Ø 850 00 6421

Axle
 with upper support
 for 180° ARENA trays

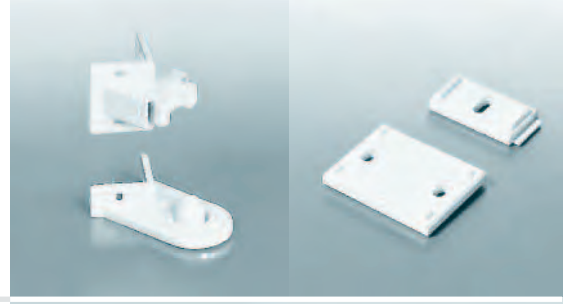
 length: 00 6771
 542

Axle connection fitting (left)
 set for top and bottom

00 6772

Distance brackets (right)
 for axle connection
 for a distance of 5 mm

00 6778


Follower for 180° tray

00 6429

 Colour codes:
 grey 9006
 white 9010

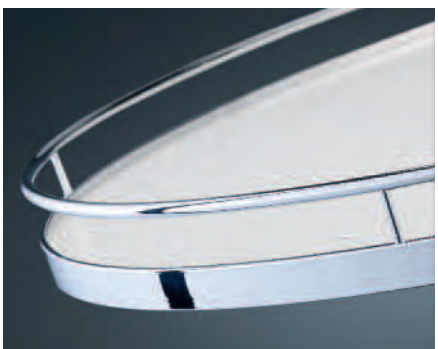


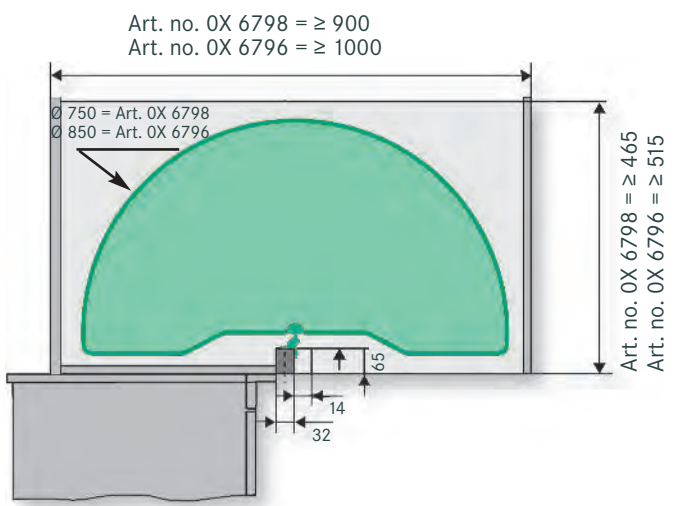

180° trays mounted on a post

Choice of tray styles

ARENA Classic

ARENA Style



90 cm and 100 cm corner base unit

180° tray ARENA Style

fits on post

 for cabinet width 90
for cabinet width 100

Dimensions (mm)	Art. no.
WxDxH	
750 x 420 x 99	05 6798
850 x 470 x 99	05 6796


 On request with
ARENAplus
anti-slip finish

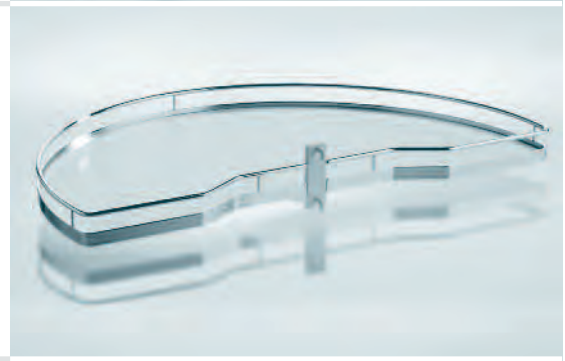
180° tray ARENA Classic

fits on post

 for cabinet width 90
for cabinet width 100

 On request with
ARENAplus
anti-slip finish

WxDxH	Art. no.
750 x 420 x 99	00 6798
850 x 470 x 99	00 6796



Accessories only for ARENA Classic (page 3:28):
Lid rack Art. 006945
Dividers Art. 00 6947 für Ø 750
Art. 00 6947 für Ø 850

Hinge

 incl. plastic bush
left or right installation

 Colour code:
nickel-plated 0006

00 6799

Follower for 180° ARENA tray

clips between bottom tray and door panel

00 6794

Door deflector for 180° ARENA tray

 clips on
for trays without follower

 Colour code:
grey 7040

00 6795




REVO 90° – user-friendly corner unit solution where front panels turn with the carousel.



Innovative mechanics
in a classical solution.

Mechanically this system is engineered to ensure a totally controlled movement sequence – the doors fold gently away, the carousel rotates smoothly, the doors close automatically. With rotational damping and REVOfit, it's a pleasure to watch. With REVOfit, the closing speed can be adjusted quickly and toollessly. Steplessly adjustable trays let users make good use of the storage space. Adding a third tray and/or a pan tray – even as a retrofit – lets users create even more storage area.




Toolless axle height adjustment

For use in 80 and 90 cm cabinet widths


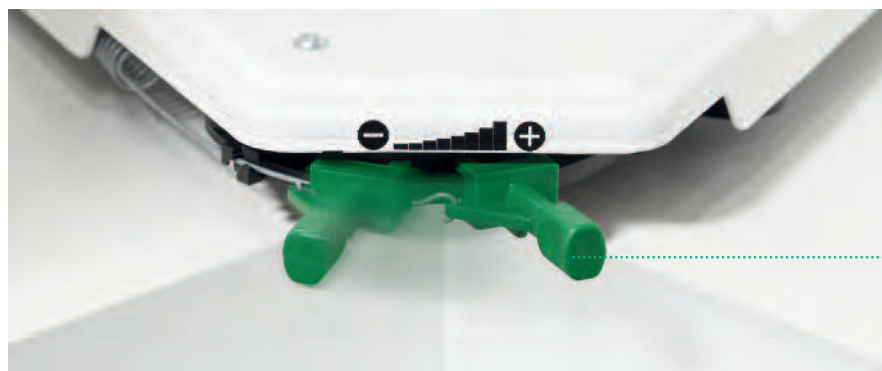
Height of ARENA trays and baskets can be changed at any time

Easy upgrade by adding a 3rd tray – even after the fitting has been installed

Standard with:



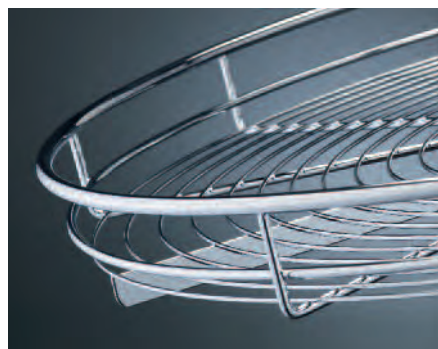
On request with:

With REVOfit, the closing speed can be adjusted quickly and toollessly

Choice of tray/basket styles

Metal baskets



ARENA Classic



ARENA Style





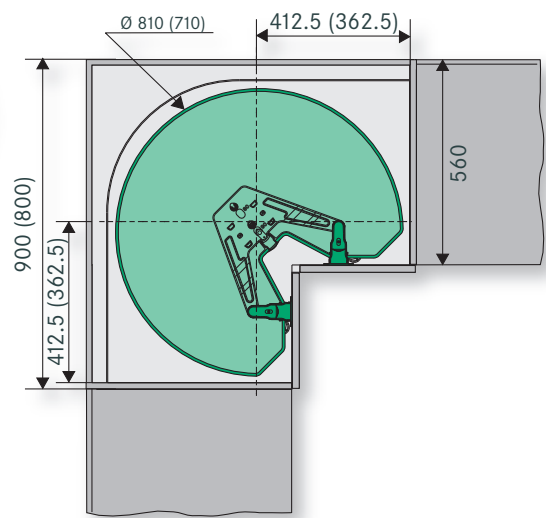
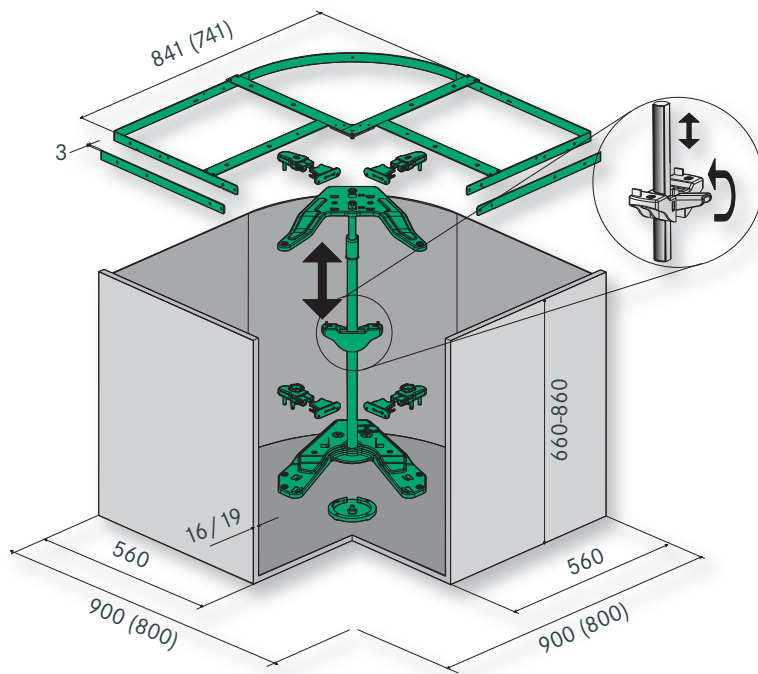
Pan tray:
A partial intermediate level
makes space for pans and tall
items in a REVO 90°.



Clip-on front panel connector mounted on frame.

Fast, reliable, toolless assembly. The clip-on connection saves time and guarantees perfect functioning. Because it's always correctly positioned!

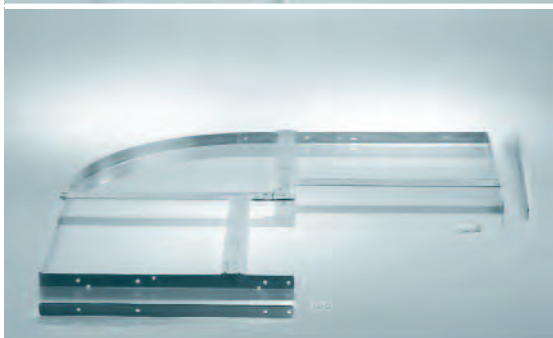




Art. no. Dimensions (mm)

00 6956 Inside cabinet
height: 660-840

REVO 90° fitting
complete
for 80 and 90 cm corner unit
incl. 4 front panel connectors,
1 cam disc and 1 shelf support




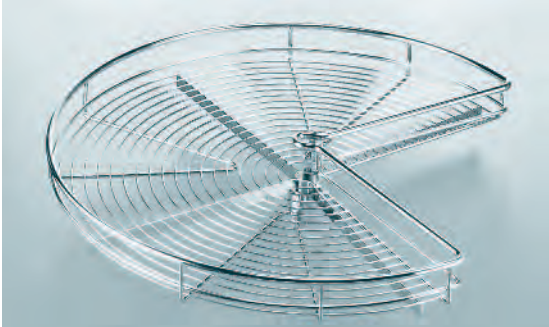





Top panel bracket
incl. fittings

	WxDxH	
00 6958	741 x 741 x 25	for 80 cm cabinet
00 6959	841 x 841 x 25	for 90 cm cabinet



	WxDxH	Top panel bracket
00 6943	560 x 468 x 37,5	for fixed back panel

	Dimensions (mm)	Art. no.	
270° tray ARENA Style			
for 80 cm corner unit	Ø 710	05 6762	
for 90 cm corner unit	Ø 810	05 6763	
<i>On request with</i> ARENAplus <i>anti-slip finish</i>			
270° tray ARENA Classic			
for 80 cm corner unit	Ø 710	00 6762	
for 90 cm corner unit	Ø 810	00 6763	
<i>On request with</i> ARENAplus <i>anti-slip finish</i>			
Pan tray		00 6801	
for 90 cm corner unit			
<i>On request with</i> ARENAplus <i>anti-slip finish</i>			
270° metal basket			
for 80 cm corner unit	Ø 700	00 6746	
for 90 cm corner unit	Ø 800	00 6747	
REVO 90° tray and basket support		00 6944	
Lid rack		WxDxH	
for 270° ARENA tray	450 x 150 x 40	00 6945	
Art. no. 00 6762 and 00 6763			
Divider			
for 270° ARENA tray		WxDxH	
80er (Art. no. 00 6762)	320 x 320 x 150	00 6946	
90er (Art. no. 00 6763)	370 x 370 x 150	00 6947	



Accessories for ARENA Classic

A range of accessories boosts the utility and ease-of-use of ARENA fittings. For example, choosing a lid rack, or dividers, helps to optimise use of space and makes for tidy storage and fast access. Giving users extra choice is part of the image of a high-end product.



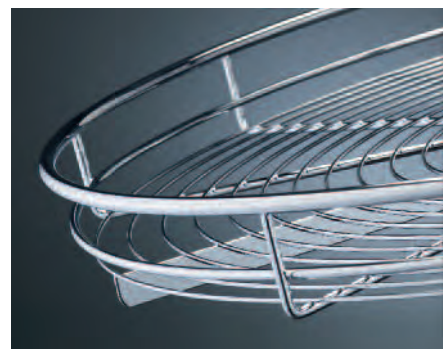
270° carousel – axle-mounted.



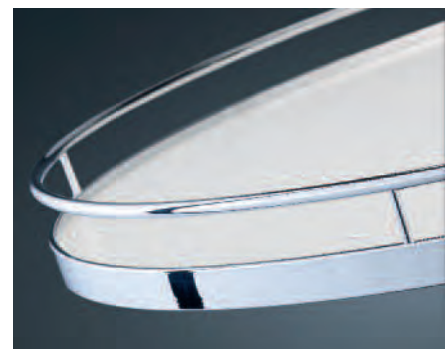
270° trays as corner carousel inside a hinged door

Choice of tray styles

Metal baskets

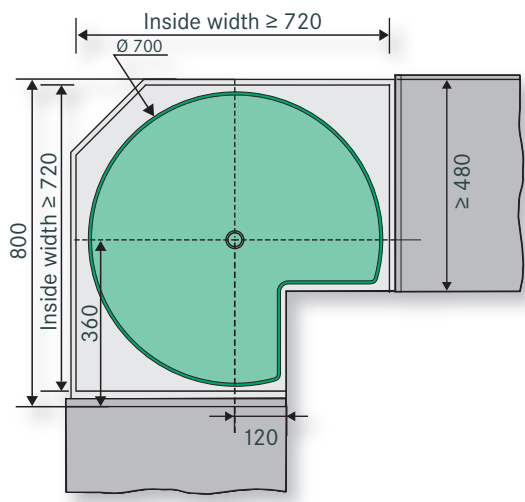


ARENA Classic

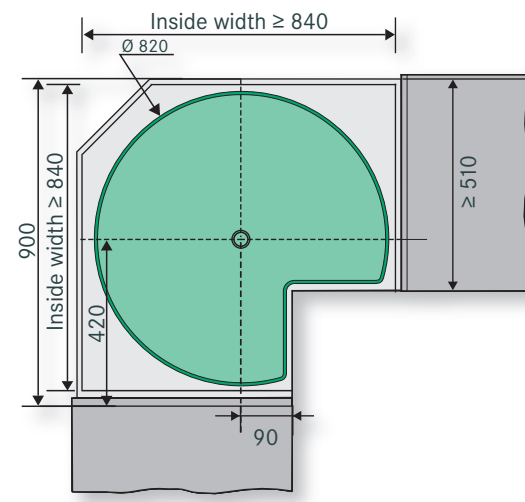


ARENA Style





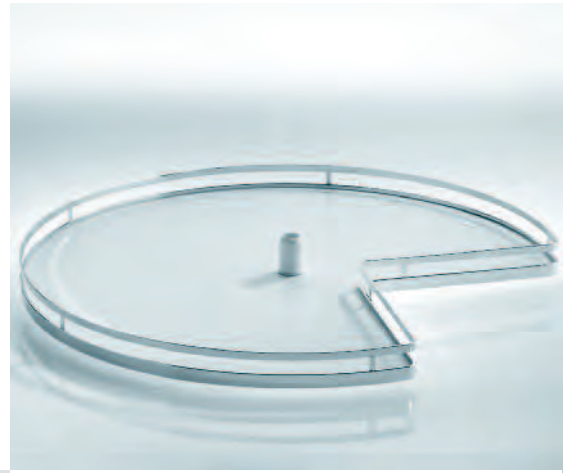
800 mm corner base unit



900 mm corner base unit

	Dimensions (mm)	Art. no.
270° tray ARENA Style		
for 80 cm corner base unit	Ø 700	05 6764
for 90 cm corner base unit	Ø 820	05 6765

On request with
ARENA^{PLUS}
 anti-slip finish



270° tray ARENA Classic		
for 80 cm corner base unit	Ø 700	00 6764
for 90 cm corner base unit	Ø 820	00 6765

On request with
ARENA^{PLUS}
 anti-slip finish

Accessories only for ARENA Classic (page 3-38):
 Lid rack Art. 00 6945
 Dividers Art. 00 6946 für Ø 700
 Art. 00 6947 für Ø 820

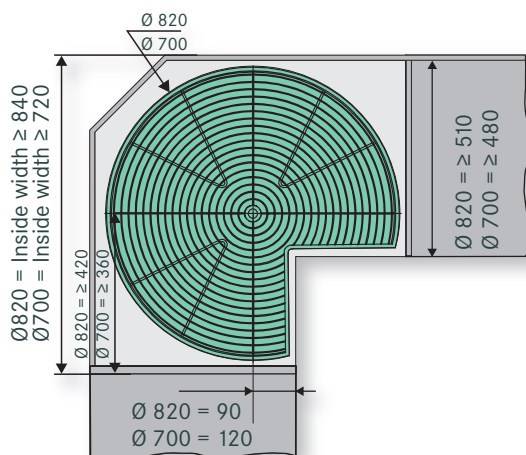


Axle (left photo)	height:	
for ARENA tray and metal baskets	630-680	00 6424
height adjustable	685-735	00 6430

Axle tube with snap-on adapter	Height adjustable	00 6784
(right photo)	from 839-889	
complete with top and bottom connectors		

Custom lengths as required!




**80 cm and 90 cm base corner unit
with 270° metal basket**

Art. no. Dimensions (mm)

00 6710 Ø 700

270° basket
00 6711 Ø 820

can rotate independently


00 6718 WxDxH
390 x 390 x 65

Divider
for 270° basket Ø 820 mm
(Art. no. 00 6711)

 height:
00 6424 630-680
00 6430 685-735

Axle (left photo)
for ARENA tray and metal baskets
height adjustable

00 6784 Height adjustable
from 839-889

Axle tube with snap-on adapter
(right photo)
complete with top and bottom connectors

Custom lengths as required!


 height:
00 6139 477

Axle
for metal baskets
with side arms for bottom mounting
for all cabinet heights



REVO 45° – corner unit solution with 45° front panel angle.



The **45° solution** without a centre axle.

Access to the height-adjustable trays is not obstructed by a centre axle; the whole area can be used for storage.

Height-adjustable axle

Tray height can be changed at any time

Easy upgrade by adding a 3rd tray – even after the fitting has been installed.

Standard with:

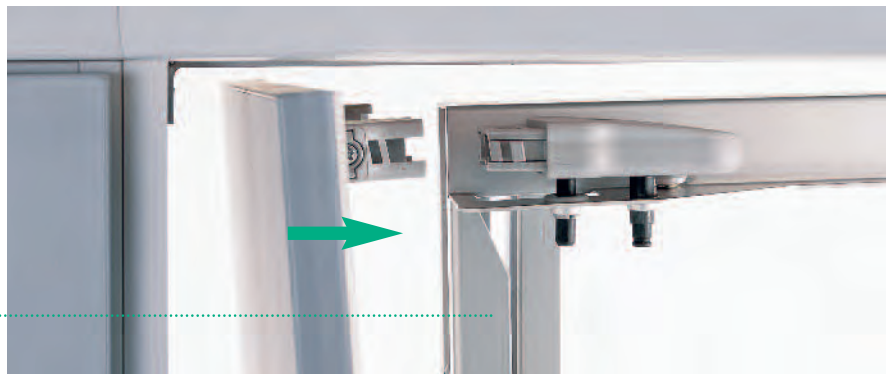


On request with:

ARENA^{plus}
anti-slip finish



Clip-on front panel connector mounted on frame



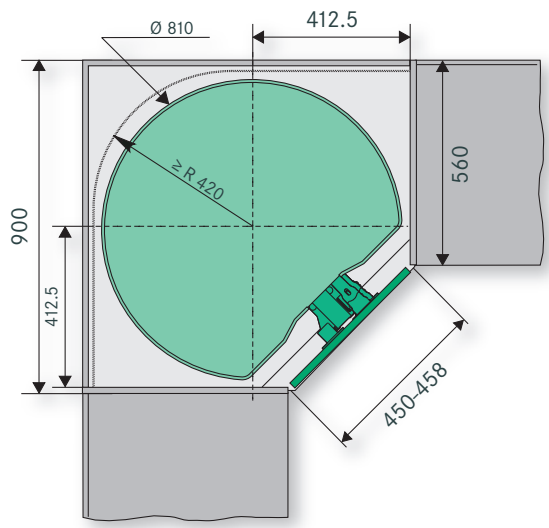
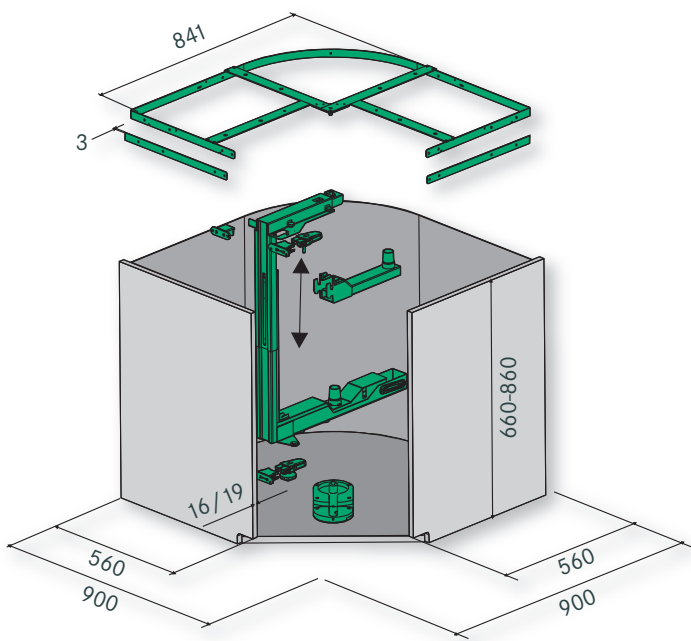
Choice of tray styles

ARENA Classic



ARENA Style



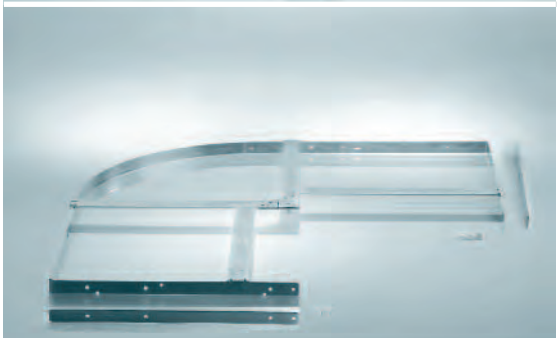


REVO 45° to use with custom or REVO 45° front panel



Art. no. Dimensions (mm)


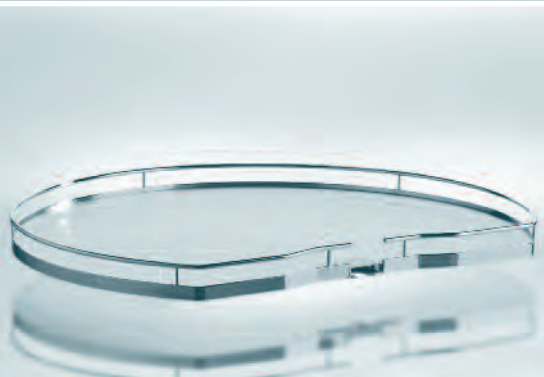




00 6948 Inside cabinet height: 660-860 **REVO 45° fitting**
complete
for 90 cm corner unit
incl. 4 front panel connectors,
1 cam disc and 1 shelf support



00 6959 WxDxH **Top panel bracket**
841 x 841 x 25 incl. fittings
for 90 cm cabinet



00 6943 WxDxH **Top panel bracket**
561 x 468 x 37,5 for fixed back panel

	Dimensions (mm)	Art. no.	
<p>REVO 45° tray ARENA Style for 90 cm corner base unit</p> <p><i>On request with</i> ARENA^{PLUS} <i>anti-slip finish</i></p>	Ø 810	05 6837	
<p>REVO 45° tray ARENA Classic for 90 cm corner base unit</p> <p><i>On request with</i> ARENA^{PLUS} <i>anti-slip finish</i></p>	Ø 810	00 6837	
<p>REVO 45° tray support</p>		00 6949	
<p>Lid rack only for REVO 45° tray ARENA Classic (Art. no. 00 6837)</p>	WxDxH 450 x 150 x 40	00 6945	
<p>Divider only for REVO 45° tray ARENA Classic (Art. no. 00 6837)</p>	WxDxH 370 x 370 x 150	00 6947	
<p>Front REVO 45° for cabinet gap from 450-458 mm width</p> <p>Colour code: stainless steel finish 9930</p>	for inside height: 702	00 6950	



Accessories for ARENA Classic

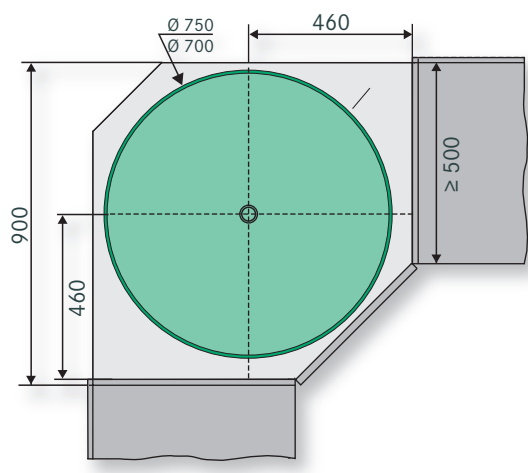
A range of accessories boosts the utility and ease-of-use of ARENA fittings. For example, choosing a lid rack, or dividers, helps to optimise use of space and makes for tidy storage and fast access. Giving users extra choice is part of the image of a high-end product.



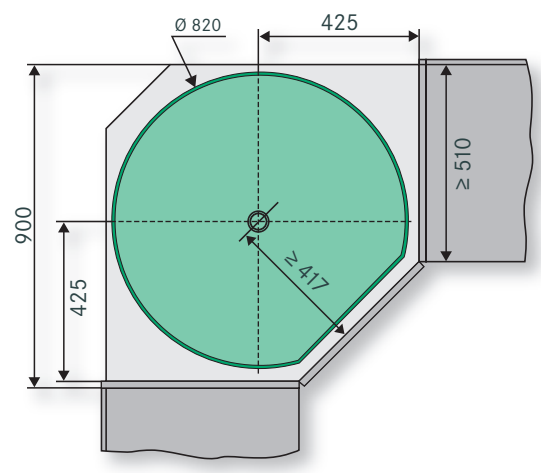
Round and segment tray solutions



**ARENA segment trays as carousel
for diagonal-fronted corner units**



90 cm wall corner unit with round tray

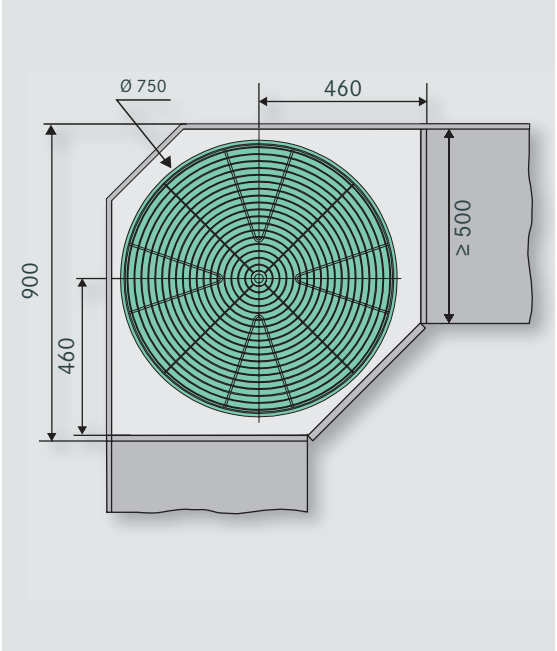


90 cm wall corner unit with segment tray

	Dimensions (mm)	Art. no.	
Round tray ARENA Style for 90 cm wall corner unit <i>On request with</i> ARENA^{plus} <i>anti-slip finish</i>	Ø 700	05 6777	
Round tray ARENA Classic for 90 cm wall corner unit for 90 cm wall corner unit for 105 cm wall corner unit <i>On request with</i> ARENA^{plus} <i>anti-slip finish</i>	Ø 700 Ø 750 Ø 820	00 6777 00 6766 00 6782	
Segment tray ARENA Style for 90 cm wall corner unit <i>On request with</i> ARENA^{plus} <i>anti-slip finish</i>	Ø 820	05 6769	
Segment tray ARENA Classic for 90 cm wall corner unit <div style="border: 1px dashed black; padding: 5px; width: fit-content;"> Accessories only for ARENA Classic (page 3-38): Lid rack Art. 00 6945 Dividers Art. 00 6946 für Ø 700 Art. 00 6947 für Ø 750 Art. 00 6947 für Ø 820 </div> <i>On request with</i> ARENA^{plus} <i>anti-slip finish</i>	Ø 820	00 6769	
Axle (left photo) for ARENA tray and metal baskets height adjustable	height: 630-680 685-735	00 6424 00 6430	
Axle tube with snap-on adapter (right photo) complete with top and bottom connectors	Height adjustable from 839-889	00 6784	
Custom lengths as required!			



Round all-metal trays
in corner base units

90 cm base corner unit with round metal basket


	Dimensions (mm)	Art. no.
Round basket can rotate independently	Ø 750	00 6714



Axle (left photo) for ARENA tray and metal baskets height adjustable	height: 630-680	00 6424
	685-735	00 6430
Axle tube with snap-on adapter (right photo) complete with top and bottom connectors Custom lengths as required!	Height adjustable from 839-889	00 6784



Axle for metal baskets with side arms for bottom mounting for all cabinet heights	height: 477	00 6139
---	----------------	----------------





TWISTER – making better use of wall corner units.



Height-adjustable angled tube

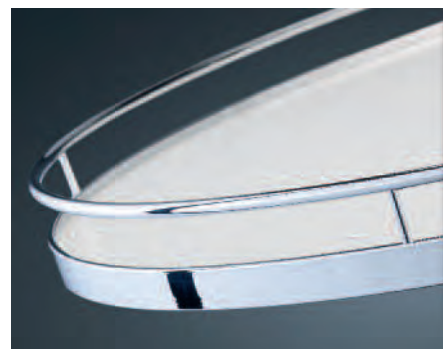
Stepless tray height adjustment

Larger storage area with edge-mounted axle

On request with:
ARENA^{PLUS}
anti-slip finish

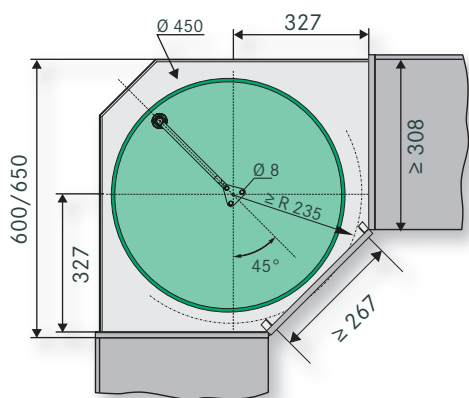
Choice of tray styles

ARENA Classic

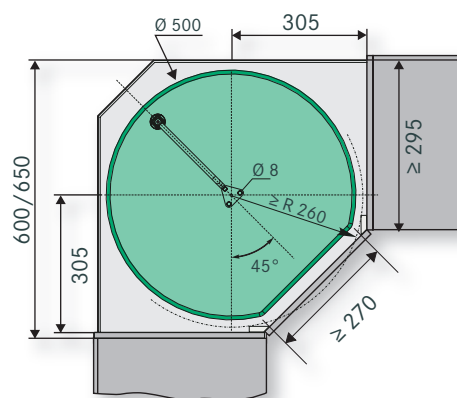


ARENA Style





600/650 mm wall corner unit with round tray



600/650 mm wall corner unit with segment tray

	Dimensions (mm)	Art. no.
Axle TWISTER		
for round tray \varnothing 450 mm	for inside height from 528-638	00 6853
	from 659-769	00 6855
	from 812-922	00 6857
for segment tray, \varnothing 500 mm	for inside height from 528-638	00 6854
	from 659-769	00 6856
	from 812-922	00 6858


TWISTER bearing

 for axle bracket with round tray,
 \varnothing 450 mm

00 6861

 for axle with segment tray,
 \varnothing 500 mm

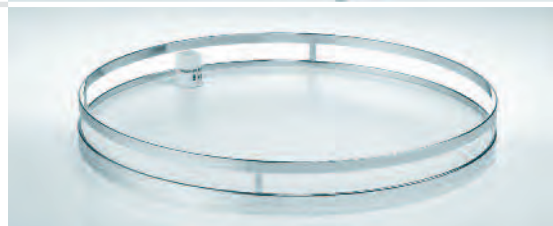
00 6862

Round shelf TWISTER ARENA Style

 for 60 and 65 cm wall corner unit
 Load capacity: 8 kg

 \varnothing 450

05 6850

 On request with
ARENAplus
 anti-slip finish

Round shelf TWISTER ARENA Classic

 for 60 and 65 cm wall corner unit
 Load capacity: 8 kg

 \varnothing 450

00 6850

 On request with
ARENAplus
 anti-slip finish

Segment shelf TWISTER ARENA Style

 for 60 and 65 cm wall corner unit
 Load capacity: 8 kg

 \varnothing 500

05 6852

 On request with
ARENAplus
 anti-slip finish

Segment shelf TWISTER ARENA Classic

 for 60 and 65 cm wall corner unit
 Load capacity: 8 kg

 \varnothing 500

00 6852

 On request with
ARENAplus
 anti-slip finish




Round and segment trays



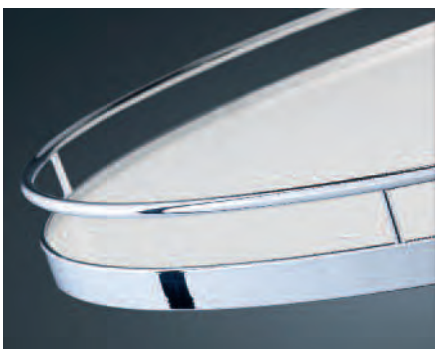
A carousel provides useful storage in the corner

Items are stored securely as ARENA trays turn

On request with:
ARENA PLUS
anti-slip finish

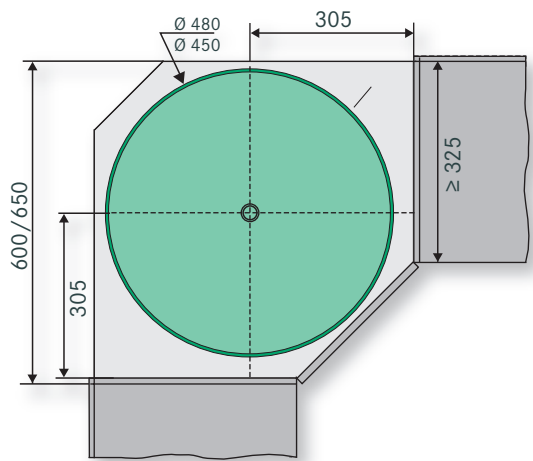
Choice of tray styles

ARENA Classic

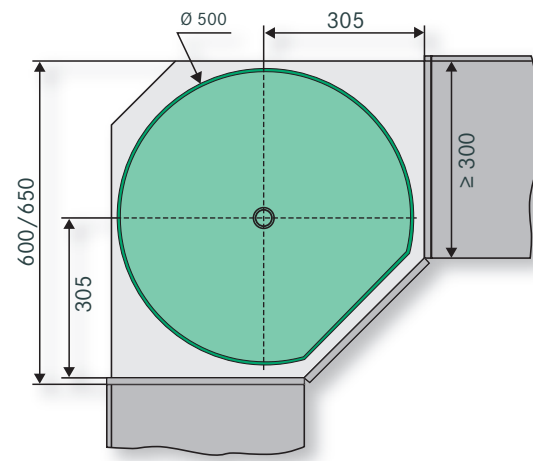


ARENA Style





60 and 65 cm wall corner unit with round tray



60 and 65 cm wall corner unit with segment tray

Dimensions (mm) **Art. no.**

Round tray ARENA Style
for 60 and 65 cm wall corner unit

Ø 450 **05 6776**

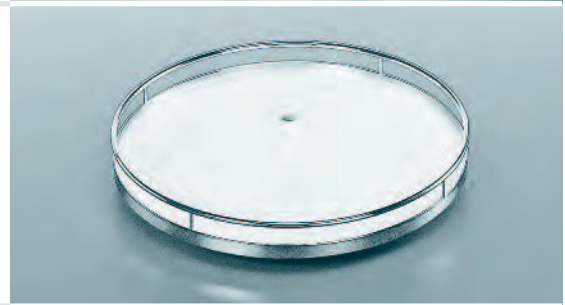
On request with
ARENAplus
anti-slip finish



Round tray ARENA Classic
for 60 and 65 cm wall corner unit

Ø 450 **00 6776**
Ø 480 **00 6767**

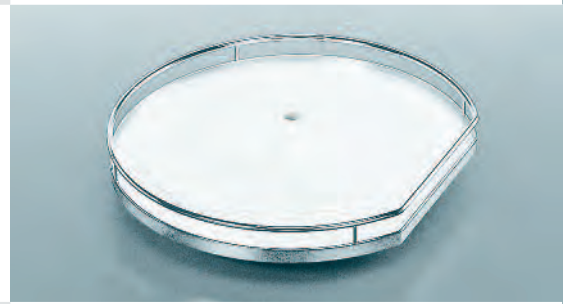
On request with
ARENAplus
anti-slip finish



Segment tray ARENA Classic
for 60 and 65 cm wall corner unit

Ø 500 **00 6768**

On request with
ARENAplus
anti-slip finish



Axle (left photo)
for ARENA tray and metal baskets
height adjustable

height:
630-680 **00 6424**
685-735 **00 6430**

Axle tube with snap-on adapter
(right photo)
complete with top and bottom connectors

Height adjustable **00 6784**
from 839-889

Custom lengths as required!



